

# PB22400F, PEB22400F

Interchange: P4BS2, FSYR, USRBF5000, QAPF

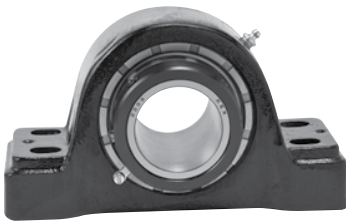
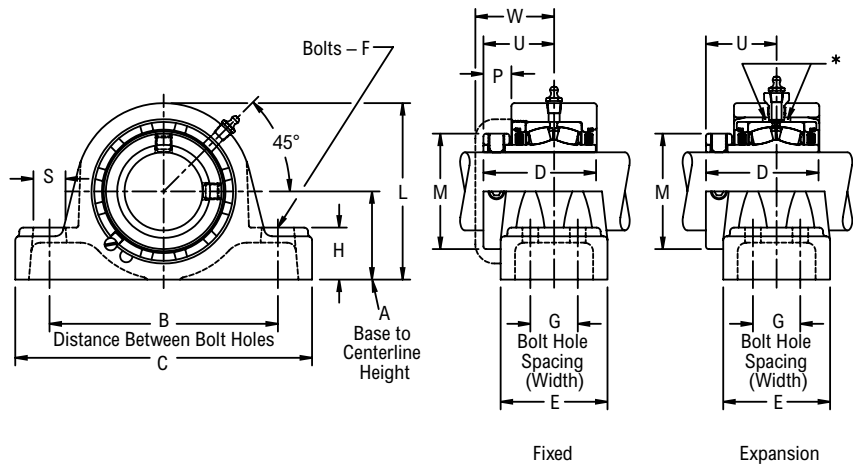


Photo Shows a 4-Bolt Spherical Roller Bearing Pillow Block Unit

## Product Features

- Corrosion-resistant powder coating
- Cast iron housing
- Misalignment capabilities - total of 4°
- Broad range of sealing options
- Factory set clearance & lubrication
- Hardened spring locking collar
- Field interchangeable seals
- Fixed or Expansion - total of 3/8" expansion
- See Features and Benefits for additional info on pages 152 - 153.



## Bearing Dimensions

Size Code	Shaft Diameter	Expansion		Fixed		A Base to Centerline Height	B Distance Between Bolt Holes	G Bolt Hole Spacing (Width)	C	D	E	F Bolts	H	L	M	P	S	U	W	Approx. Weight
		Part Number	Part Number																	
B432	1 15/16	PEB22431FH	PB22431FH	2 1/4	6 1/4	1 19/32	8 3/8	3 3/8	3 3/16	1/2	1 3/8	4 9/16	2 7/8	21/32	13/16	1 29/32	2 9/32	13.00		
	2	PEB22432FH	PB22432FH																	
	45.00	PEB224M45FH	PB224M45FH	57.15	158.80	40.50	212.70	79.38	81.00	12.00	34.90	115.90	73.00	16.70	20.60	48.40	57.90	6.30		
	50.00	PEB224M50FH	PB224M50FH																5.90	
B436	2 3/16	PEB22435FH	PB22435FH	2 1/2	6 3/4	1 11/16	8 7/8	3 5/16	3 1/4	1/2	1 5/8	5	3 1/4	25/32	13/16	2 1/16	2 7/16	15.00		
	2 1/4	PEB22436FH	PB22436FH																	
	55.00	PEB224M55FH	PB224M55FH	63.50	171.40	42.90	225.40	84.14	82.60	12.00	41.30	127.00	82.60	19.80	20.60	52.40	61.90	6.90		
B440	2 7/16	PEB22439FH	PB22439FH	2 3/4	7 1/8	1 3/4	9 1/4	3 1/2	3 3/8	1/2	1 3/4	5 1/2	3 9/16	27/32	13/16	2 3/16	2 9/16	19.00		
	2 1/2	PEB22440FH	PB22440FH																	
	60.00	PEB224M60FH	PB224M60FH	69.85	181.00	44.40	235.00	88.90	85.70	12.00	44.40	139.70	90.50	21.40	20.60	55.60	65.10	8.60		
B448	2 11/16	PEB22443FH	PB22443FH																	
	2 3/4	PEB22444FH	PB22444FH																	
	2 15/16	PEB22447FH	PB22447FH	3 1/4	8 1/8	1 7/8	10 7/16	4	3 3/4	5/8	2 1/4	6 7/16	4 1/16	27/32	15/16	2 7/16	2 25/32	30.00		
	3	PEB22448FH	PB22448FH																29.00	
	65.00	PEB224M65FH	PB224M65FH																28.00	
	70.00	PEB224M70FH	PB224M70FH	82.55	206.40	47.60	265.10	101.60	95.20	16.00	57.20	163.50	103.20	21.40	23.80	61.90	70.60	13.70		
	75.00	PEB224M75FH	PB224M75FH																13.00	
B456	3 3/16	PEB22451FH	PB22451FH																	
	3 7/16	PEB22455FH	PB22455FH	3 3/4	10	2	13	4 3/8	4 1/8	3/4	2 1/4	7 1/2	4 29/32	15/16	1 1/2	2 21/32	3	45.00		
	3 1/2	PEB22456FH	PB22456FH																	
	80.00	PEB224M80FH	PB224M80FH	95.25	254.00	50.80	330.20	111.12	104.80	20.00	57.20	190.50	124.60	23.80	38.10	67.50	76.20	20.50		
	85.00	PEB224M85FH	PB224M85FH																20.00	
B464	3 11/16	PEB22459FH	PB22459FH																	
	3 15/16	PEB22463FH	PB22463FH	4 1/4	12 1/2	2 1/4	15 1/4	5 1/16	4 1/2	3/4	2 5/8	8 1/2	5 5/8	1 1/16	1 1/4	3 1/16	3 7/16	69.00		
	4	PEB22464FH	PB22464FH																67.00	
	90.00	PEB224M90FH	PB224M90FH	107.95	317.50	57.20	387.40	128.59	114.30	20.00	66.70	215.90	142.90	27.00	31.80	77.80	87.30	32.10		
	100.00	PEB224M100FH	PB224M100FH																30.30	

## Additional Notes

- Please call 1-866-REXNORD for availability
- Lubrication fitting tap size, 1/8" PT
- Base to centerline tolerance, +/- .005" (+/- 0.13 mm)
- Expansion - is 3/8" for all size codes
- H labyrinth seals standard
- All size codes available with type E lip seals & E7 triple lip seals

For the Selection Guide, Load Ratings and Speed Limits, see the Link-Belt Spherical Roller Bearings Engineering section on pages 155 - 160.

Note: Dimensions subject to change. Certified dimensions of ordered material furnished on request.