

Model IDP10 I/A Series[®] Differential Pressure Transmitter with HART[®] Communication Protocol



IDP10
LOW PROFILE
STRUCTURE LP1



IDP10
TRADITIONAL
STRUCTURE



IDP10
LOW PROFILE
STRUCTURE LP2

The Foxboro[®] brand I/A Series[®] Model IDP10 is an Intelligent, two-wire d/p Cell[®] transmitter that provides precise, reliable, measurement of differential pressure, and transmits a 4 to 20 mA output signal with a superimposed HART[®] digital signal for remote configuration and monitoring.

FEATURES

- ▶ Silicon strain gauge sensors successfully field-proven in many thousands of installations.
- ▶ Simple, elegant sensor packaging, with very few parts achieves exceptionally high reliability.
- ▶ Transmitter available with traditional or low profile structures (see photos above).
- ▶ Aluminum housing has durable, corrosion-resistant epoxy finish; 316 ss housing also available; both meet NEMA 4X and IP66 ratings.
- ▶ Can be provided as a sealed measurement system with numerous configurations of direct connect or capillary connected seals available.
- ▶ SIL2-Certified Transmitter offered as an option.
- ▶ Optional mounting bracket sets allow pipe, surface, or manifold mounting of transmitter.
- ▶ Remote configuration with HART communication protocol in a single loop or multidrop mode; or locally via optional LCD indicator.
- ▶ Multi-marking is available for FM, CSA, and ATEX intrinsically safe installations. The user determines and permanently marks on the data plate the certification to be applied.
- ▶ User-entered cutoff point from 0 to 20% of maximum flow.
- ▶ Dual Seal certified by CSA to meet ANSI/ISA 12.27.01-2003 requirements.
- ▶ Industry standard 316L ss, Co-Ni-Cr, Nickel alloy⁽¹⁾, Monel, or Tantalum sensor materials, depending on transmitter structure.

1. Equivalent to Hastelloy[®] C. Hastelloy is a registered trademark of Haynes International, Inc.

- ▶ Complies with NAMUR NE 21 interference immunity requirement, and NAMUR NE 43 for analog output overrange and underrange annunciations.
- ▶ CE Marked; complies with applicable EMC, ATEX, and PED European Directives.
- ▶ Complies with Electromagnetic Compatibility Requirements of European EMC Directive 2004/108/EC by conforming to the following EN and IEC Standards: EN 61326-1, and IEC 61000-4-2 through 61000-4-6.
- ▶ Designed for hazardous area installations. Versions available to meet Agency flameproof and zone requirements.
- ▶ Standard 5-year warranty.

I/A SERIES PRESSURE TRANSMITTER FAMILY

The I/A Series Electronic Pressure Transmitters are a complete family of d/p Cell, gauge, absolute, multirange, multivariable, and premium performance transmitters, as well as transmitters with remote or direct connect seals, all using field-proven silicon strain gauge sensors and common topworks.

MODULAR ELECTRONICS

A common HART electronics module is used for all HART Pressure Transmitters. Also, because all configuration and calibration data is stored in the sensor, you can replace a HART module with another HART module without transmitter reconfiguration or recalibration.

Furthermore, if your needs change, the modular design allows easy migration to other standards - including FoxCom™, FOUNDATION fieldbus, and analog 4 to 20 mA or 1 to 5 V dc versions.

HART Communication Protocol Version -T Electronics

Version -T, 4 to 20 mA with HART communications, allows direct analog connection to common receivers while still providing full Digital Communications using a HART Communicator, PC-based configurator, or optional LCD Indicator.

In addition to HART, Foxboro pressure transmitters are also available with other protocols as described below.

FoxCom Version, Software Configurable for Digital and 4 to 20 mA Output (-D Electronics)

Provides measurement integration with an I/A Series system, or allows direct analog connection to common receivers while still providing full Intelligent Transmitter digital communication with a PC-based configurator. Refer to PSS 2A-1C14 A.

FOUNDATION Fieldbus Version (-F Electronics)

This is a FISCO/FNICO compliant all digital, serial, two-way communication system which interconnects field devices such as transmitters, actuators, and controllers. It is a local area network (LAN) with built-in capability to distribute control application across the network. Refer to PSS 2A-1C13 E.

Analog Output Version (-A Electronics)

Provides a 4 to 20 mA analog output and includes a standard LCD Indicator to provide transmitter configuration directly from on-board pushbuttons. Refer to PSS 2A-1C14 C.

Analog Output Version (-V Electronics)

A low power, low voltage transmitter that draws no more than 3 mA, and transmits a 1 to 5 V dc output signal. Refer to PSS 2A-1C13 D.

HART INTELLIGENT MODULE CONFIGURED FOR 4 TO 20 mA OUTPUT

Measurements and diagnostics are available from the HART Communicator connected to the two-wire loop carrying the 4 to 20 mA measurement signal by using a bidirectional digital signal superimposed on the 4 to 20 mA current signal.

Multiple measurements are transmitted digitally, including not only the primary measurement in either pressure or flow units, but also the electronics and sensor temperatures which can be used to monitor external heat tracing equipment. Complete transmitter diagnostics are also communicated.

Configuration and reranging can be accomplished with the Communicator, PC-based configurator, or Digital Indicator (with pushbuttons) option.

HIGH PERFORMANCE

Transmitters are accurate to $\pm 0.05\%$ of calibrated span in the digital linear mode, and $\pm 0.060\%$ of calibrated span in the 4 to 20 mA linear mode, as well as microprocessor-based correction to achieve excellent ambient temperature compensation.

OPTIONAL SIL2 TRANSMITTERS

Modern industrial processes tend to be technically complex and have the potential to inflict serious harm to persons or property during a mishap. The IEC 61508 standard defines safety as “freedom from unacceptable risk.” SIL2 pressure transmitters with HART communication protocol, in conjunction with Triconex Safety Systems, provide integrated solutions for safety and critical control applications. The integrated solution is certified as interference-free from the 4 to 20 mA loop; this guarantees the integrity of the safety system and the safety of the controlled process. The integrated design allows uninterrupted operation of the safety function, while allowing access to device level information via HART commands. The solution permits interface of device diagnostics with asset management systems without compromising functional safety. Select Option -S2 for a SIL2-Certified HART Transmitter. A copy of the certification is available via Auxiliary Specification (AS) Code CERT-S.

WIDE MEASUREMENT RANGE WITH A MINIMUM OF SENSORS

Five d/p range sensors provide measurement spans from 0.12 to 21000 kPa (0.018 to 300 psi). The high turndown capability of the transmitter means that nearly all d/p applications can be satisfied with only these five ranges, greatly simplifying your spare transmitter and spare parts requirements.

MULTIDROP COMMUNICATIONS

Either point-to-point (Figure 20) or multidropping (Figure 21) is permitted. Multidropping is the connection of several transmitters to a single communications line. Communications between the host computer and transmitter takes place digitally, with the analog output of the transmitter fixed. With HART communication protocol, up to fifteen transmitters can be connected on a single twisted pair of wires or over leased telephone lines.

OPTIONAL MOUNTING BRACKET SETS

In addition to the standard style mounting bracket sets optionally offered with these transmitters, a unique universal style mounting bracket has been developed to allow wide flexibility in transmitter mounting configurations consistent with installation requirements. All mounting bracket sets allow mounting to a surface, pipe, or manifold. Refer to “Dimensions – Nominal” on page 29.

PROCESS CONNECTORS

Removable, gasketed process connectors allow a wide range of selections, including 1/4 NPT, 1/2 NPT, Rc 1/4, Rc 1/2, and weld neck connections. For highly corrosive chemical processes when a traditional structure is used (see transmitter structures further in document), two 1/2 NPT PVDF inserts (Figure 1) are installed in both 316 ss covers and are used as the process connectors. In these applications, tantalum is used as the sensor diaphragm material.

SENSOR CORROSION PROTECTION

For traditional structure, choice of 316L ss, Co-Ni-Cr, nickel alloy⁽²⁾, Monel, Gold-Plated 316L ss, and Tantalum materials. High corrosion resistance of Co-Ni-Cr (TI 037-078) means long service life in many difficult applications without the extra cost for exotic materials. See TI 037-75b for process applicability with Co-Ni-Cr and other process wetted materials.

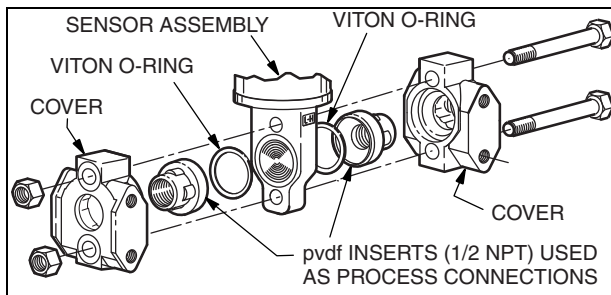
For low profile structures LP1 and LP2, 316L ss and nickel alloy⁽²⁾ are offered as sensor materials.

Refer to Transmitter Structures section that follows for description and application of traditional and low profile (LP1 and LP2) structures.

OPTIONAL LCD DIGITAL INDICATOR

A two-line digital indicator (Figure 22) with on-board pushbuttons is available to display the measurement with a choice of units. The pushbuttons allow zero and span adjustments, as well as local configuration without the need for a HART Communicator or PC-based configurator.

Figure 1. Bottomworks Shown with 1/2 NPT PVDF Inserts Installed in HI- and LO-Side Covers; with Traditional Structure



EASE OF INSTALLATION

Rotatable Topworks allows transmitter installation in tight places, allows indicator to be positioned in preferred direction, and eases field retrofit.

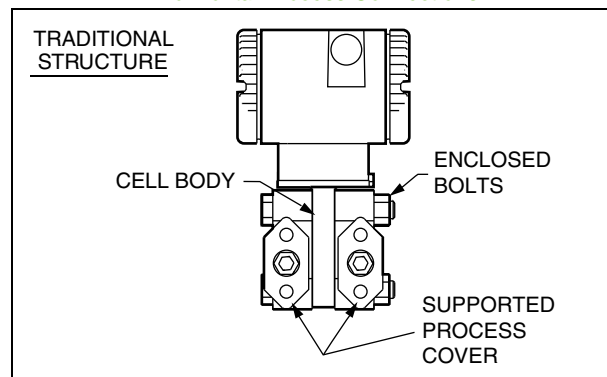
Two Conduit Entrances offer a choice of entry positions for ease of installation and self-draining of condensation regardless of mounting position and topworks rotation.

Wiring Guides and Terminations provide ease of wire entry and support, plenty of space to work and store excess wire, and large, rugged screw terminals for easy wire termination.

UNIQUE PROCESS COVER AND CELL BODY DESIGN

Biplanar Construction (Figure 2) maintains the traditional horizontal process connections and vertical mounting by providing a cell body contained between two process covers, while still achieving light weight, small size, and high standard static pressure rating of 25 MPa (3626 psi). This provides easy retrofit of any conventional differential pressure transmitter, and also is easily mounted in the horizontal position with vertical process connections, when required.

Figure 2. Biplanar Construction Shown with Traditional Horizontal Process Connections



2. Equivalent to Hastelloy® C.

Process Covers (Figure 2) are fully supported by the cell body over their entire height. This prevents bending and results in a highly reliable seal. Also, this provides dimensional stability to the process covers, ensuring that they will always mate properly with 3-valve bypass manifolds.

Process Cover Bolts (Figure 2) are enclosed to minimize corrosion and to minimize early elongation with rapid temperature increases. The design makes it less likely for the transmitter to release process liquid during a fire.

Process Cover Gaskets are ptfе as standard; ptfе provides nearly universal corrosion resistance, and eliminates the need to select and stock various elastomers to assure process compatibility.

Light Weight provides ease of handling, installation, and direct mounting without requiring costly pipe stands.

TRANSMITTER STRUCTURES

Traditional and low profile structures (LP1 and LP2) are offered to accommodate and to provide flexibility in transmitter installations.

Traditional Structure

The traditional structure (Figure 3) utilizes the right angle design common to most DP transmitters in use throughout the world. Process connections are oriented 90 degrees from the transmitter centerline.

This traditional structure makes it easy to retrofit any transmitters of similar design.

Sensor cavity venting and draining is provided for both vertical and horizontal transmitter installation, using innovative tangential connections to the sensor cavity (Figures 4 and 5). Optional side vents are offered for sensor cavity venting in the upright position (Figure 6).

An extensive variety of process-wetted materials are available for the process covers on this highly versatile and widely used transmitter.

Figure 3. Vertical Mounting Showing Process Connections at 90 degrees

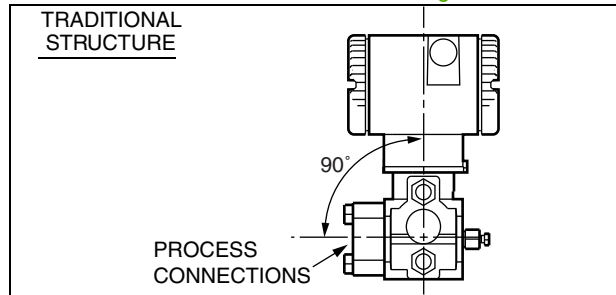


Figure 4. Vertical Mounting - Cavity Draining

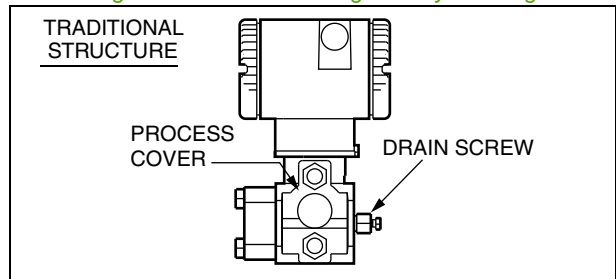


Figure 5. Horizontal Mounting - Cavity Venting, and Self-Draining into Process Line

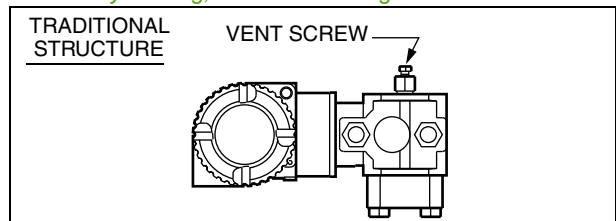
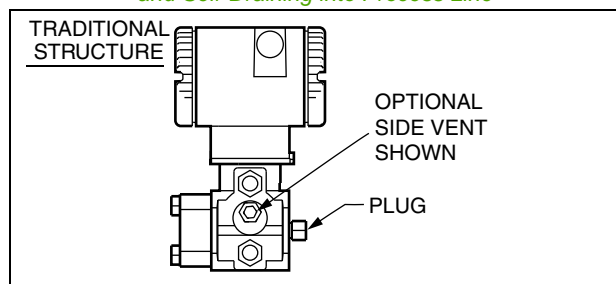


Figure 6. Vertical Mounting - Cavity Venting, and Self-Draining into Process Line



Low Profile Structures

The low profile structures utilize an in-line design, placing the process connections in line with the transmitter centerline (Figures 7 and 8). This allows mounting of the transmitter in the upright position with the process connections facing downward, for connection to vertical process piping or for mounting directly to a three- or five-valve manifold.

The low profile structures provide a mounting style similar to that used by competitive Coplanar™ transmitters. This makes it easy to select Foxboro transmitters for both retrofit and new applications where this type of installation is desired.

Transmitters with the low profile structure can be attached directly to existing, installed Coplanar manifolds, such as the Rosemount Model 305RC or Anderson Greenwood Models MB3, MB5G, and MB5P, by use of an optional adapter plate (Figure 9). Also, when assembled to the same process piping or manifold as a Coplanar transmitter, one of the electrical conduit connections is located within ± one inch of the similar conduit connection on the competitive transmitter, assuring ease of retrofit or conformance with installation design drawings.

All parts making up the low profile versions are identical to the parts in the traditional version except for the process covers and the external shape of the sensor cell body.

For user convenience, two types of low profile structures are offered, type LP1 and LP2. The process covers are the only transmitter parts that differ between structure types LP1 and LP2.

Figure 7. Low Profile Structure - LP1 Shown

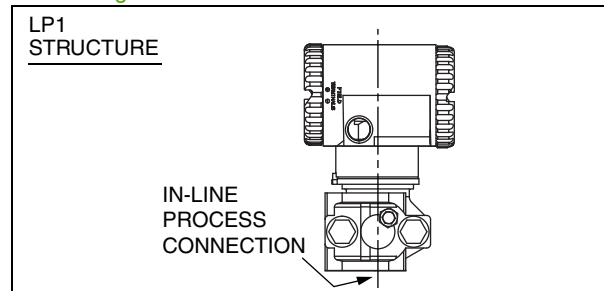


Figure 8. LP1 Shown Directly Mounted to Manifold

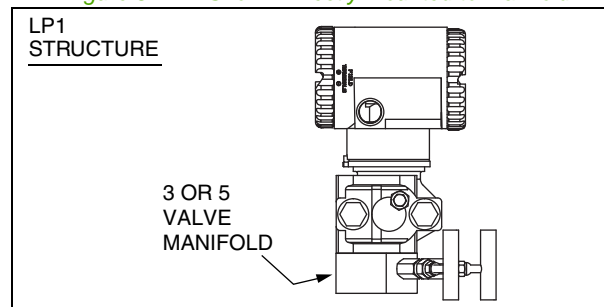
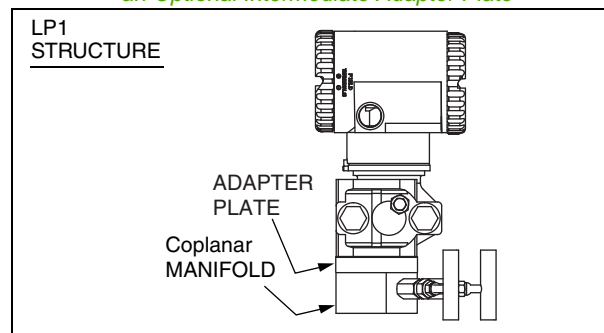


Figure 9. LP1 Shown Mounted to a Coplanar Manifold using an Optional Intermediate Adapter Plate



Low Profile Structure LP1 – Direct Mount

Low Profile Structure LP1 is a compact, inexpensive, lightweight design for direct mounting to a separately mounted manifold or process piping. These transmitters are not typically bracket-mounted.

They are supplied as standard with a single vent/drain screw in the side of each process cover. In conjunction with the standard tangential venting and draining design, they are suitable for mounting either vertically (Figure 10) or horizontally, and are suitable for nearly all applications, including liquids, gases, and steam. For horizontal installation, they can simply be “turned over” (rotated 180 degrees - Figures 11 and 12) to orient the high and low pressure sides in the preferred locations. There is no need to unbolt process covers. The topworks housing can also be rotated, as shown, to orient the conduit connections in the desired position.

In the vertical, upright position, they are also self-draining and are ideal for gas flow rate service, when directly mounted to a manifold located above the horizontal pipeline. The vent screw can be omitted for this or other applications, if desired.

Figure 10. Upright Mounting

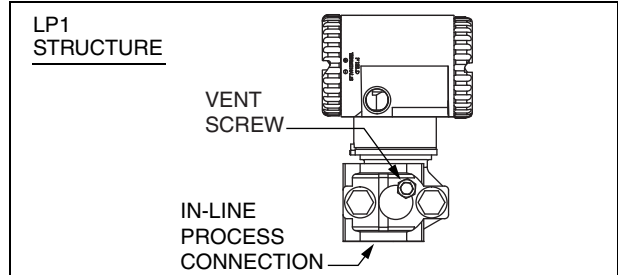


Figure 11. Horizontal Mounting with Vent Screw

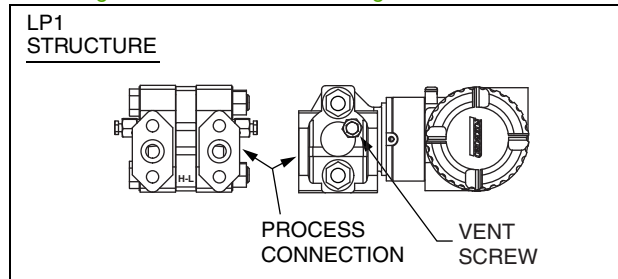
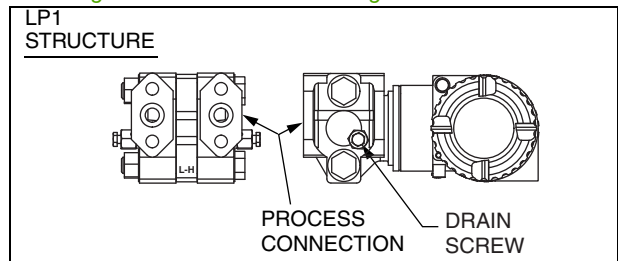


Figure 12. Horizontal Mounting with Drain Screw



Low Profile Structure LP2 – Bracket or Direct Mount

Low Profile Structure LP2 is a universal design for either bracket or direct mounting. Drilled and tapped mounting holes facilitate mounting to either new or existing Foxboro brackets (Options -M1, -M2, and -M3), as well as standard brackets supplied with existing Coplanar transmitters. See Figure 13 and Figure 14.

These transmitters can also be directly mounted to manifolds or process piping and are available with the same optional adapter used with low profile structure LP1 to fit existing Coplanar manifolds (Figure 15).

For extra convenience, they use a full-featured vent and drain design, with separate vent and drain screws positioned in each cover for complete venting or draining directly from the sensor cavity. They are normally recommended for upright, vertical installation.

Figure 13. Shown on Foxboro Universal Bracket

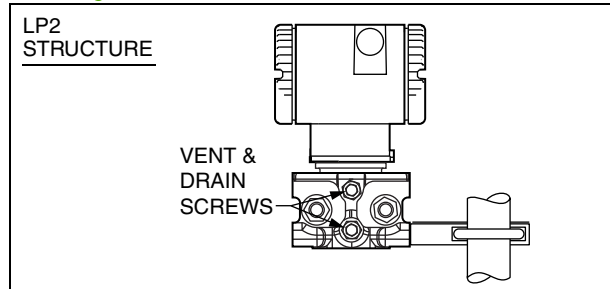


Figure 14. Shown on Coplanar Bracket

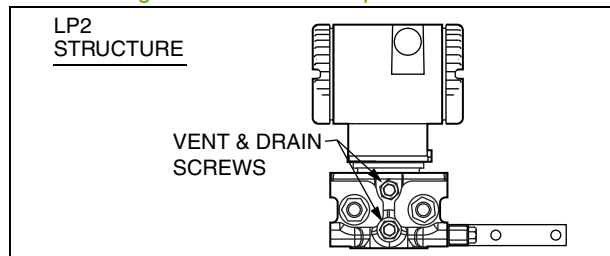
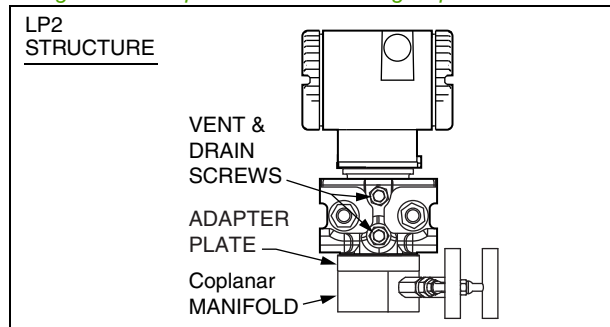


Figure 15. Adapter Mount to Existing Coplanar Manifold



PRESSURE SEALS

Pressure seals are used with transmitters having a traditional structure (see “Transmitter Structures” on page 5) when it is necessary to keep the transmitter isolated from the process. A sealed system is used for a process fluid that may be corrosive, viscous, subject to temperature extremes, toxic, sanitary, or tend to collect and solidify.

Table 1 lists the various pressure seals that can be used with an IDP10 Transmitter. To order a transmitter with seals, both a Transmitter Model Number and Seal Model Number are required. For a complete listing of pressure seal models and specifications, see PSS 2A-1Z11 A. Also see Figure 16 for typical pressure seal configurations.

Table 1. Pressure Seals Used with IDP10 Transmitters

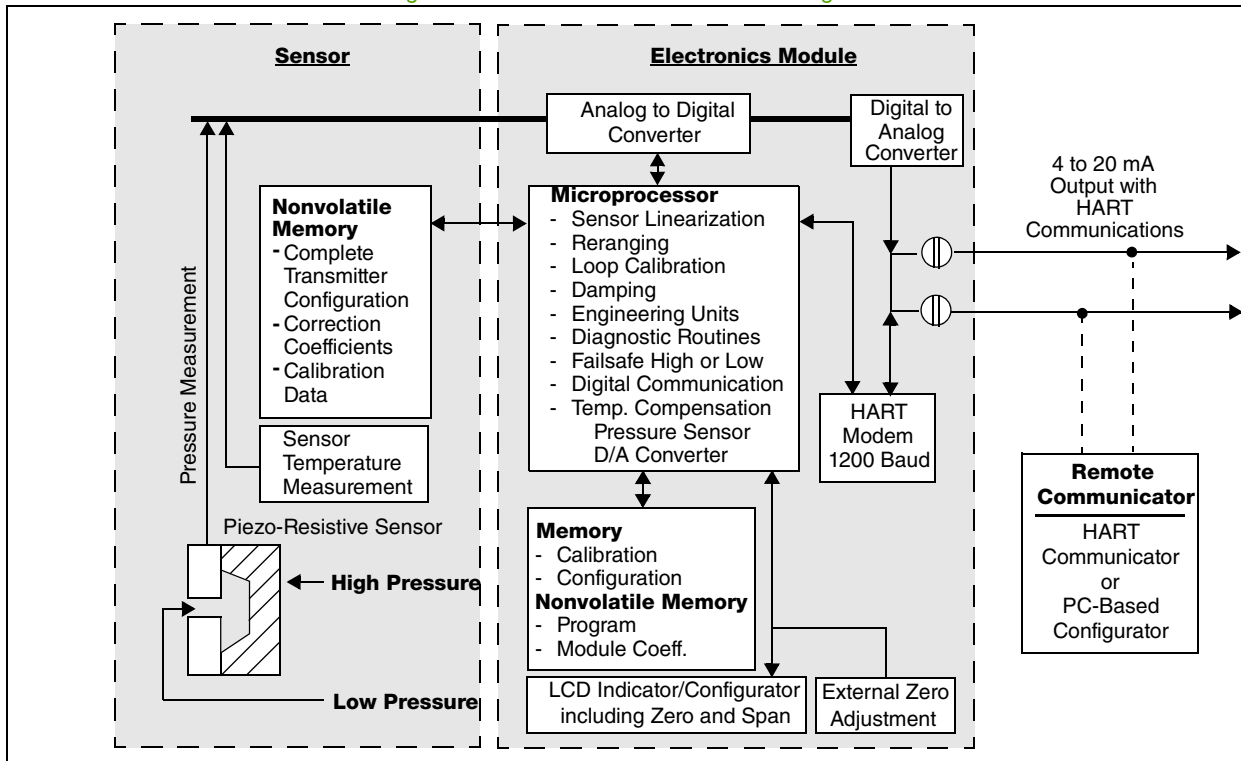
Direct Connect Pressure Seal Assemblies		
Seal Model	Seal Description	Process Connections
PSFLT	Flanged, Direct Connect (Flanged Level), Flush or Extended Diaphragm	ANSI Class 150/300/600 flanges and BS/DIN PN 10/40, 10/16, 25/40 flanges
PSSCT	Sanitary, Direct Connect (Level Seal), Flush Diaphragm	Process Connection to Sanitary Piping with 2- or 3-inch Tri-Clamp
PSSST	Sanitary, Direct Connect (Level Seal), Extended Diaphragm	Process Connection to 2-in Mini Spud or 4-in Standard Spud; Tri-Clamp
Remote Mount, Capillary-Connected Pressure Seal Assemblies		
Seal Model	Seal Description	Process Connections
PSFPS	Flanged, Remote Mount, Flush Diaphragm	ANSI Class 150/300/600 flanges and BS/DIN PN 10/40 flanges
PSFES	Flanged, Remote Mount, Extended Diaphragm	ANSI Class 150/300/600 flanges and BS/DIN PN 10/40, 10/16, 25/40 flanges
PSFAR	Flanged, Remote Mount, Recessed Diaphragm	ANSI Class 150/300/600/1500 flanges
PSFFR	Flanged, Remote Mount, Flush Diaphragm	ANSI Class 150/300/600 and PN 10/40
PSTAR	Threaded, Remote Mount, Recessed Diaphragm	1/4, 1/2, 3/4, 1, or 1 1/2 NPT internal thread
PSISR	In-Line Saddle Weld, Remote Mount, Recessed Diaphragm	Lower housing of seal is in-line saddle welded to nominal 3- or 4-inch (and larger) Pipe
PSSCR	Sanitary, Remote Mount, Flush Diaphragm	Process Connection secured with a Tri-Clamp to a 2- or 3-inch pipe
PSSSR	Sanitary, Remote Mount, Extended Diaphragm	Process Connection to 2-in Mini Spud or 4-in Standard Spud; Tri-Clamp

Figure 16. Typical Pressure Seals used with IDP10 Transmitters



TRANSMITTER FUNCTIONAL BLOCK DIAGRAM

Figure 17. Transmitter Functional Block Diagram



FUNCTIONAL SPECIFICATIONS

Span Limits for IDP10 d/p Cell Transmitters

Span Code	kPa	psi	mbar	mmHg	mmH ₂ O	inH ₂ O
A (a)	0.12 and 7.5	0.018 and 1.1	1.2 and 75	0.93 and 56	12 and 750	0.5 and 30
B	0.87 and 50	0.125 and 7.2	8.7 and 500	6.5 and 375	87 and 5,000	3.5 and 200
C	7 and 210	1 and 30	70 and 2,100	50 and 1,500	700 and 21,000	28 and 840
Span Code	MPa	psi	bar	mHg	mH ₂ O	ftH ₂ O
D	0.07 and 2.1	10 and 300	0.7 and 21	0.5 and 15	7 and 210	23 and 690
E (b)	0.7 and 21 (b)	100 and 300 (b)	7 and 210 (b)	5 and 150 (b)	70 and 2,100 (b)	230 and 6,900 (b)

- a. Span Limit Code "A" not available when pressure seals are selected.
- b. When certain options are specified, the upper span and range limits are reduced as shown in "Impact of Certain Options on Span and Range Limits" table.

Range Limits for IDP10 d/p Cell Transmitters (a)

Span Code	kPa	psi	mbar	mmHg	mmH ₂ O	inH ₂ O
A (b)	-7.5 and +7.5	-1.1 and +1.1	-75 and +75	-56 and +56	-750 and +750	-30 and +30
B	-50 and +50	-7.2 and +7.2	-500 and +500	-375 and +375	-5,000 and +5,000	-200 and +200
C	-210 and +210	-30 and +30	-2,100 and +2,100	-150 and +150	-21,000 and +21,000	-840 and +840
Span Code	MPa	psi	bar	mHg	mH ₂ O	ftH ₂ O
D	-0.21 and +2.1	-30 and +300	-2.1 and +21	-1.5 and +15	-21 and +210	-69 and +690
E (c)	-0.21 and 21 (c)	-30 and +3,000 (c)	-2.1 and +210 (c)	-1.5 and +150 (c)	-21 and +2,100 (c)	-69 and +6,900 (c)

- a. Positive values indicate HI side of sensor at the high pressure, and negative values indicate LO side of sensor at the high pressure.
- b. Span Limit Code "A" not available when pressure seals are selected.
- c. When certain options are specified, the upper span and range limits are reduced as shown in "Impact of Certain Options on Span and Range Limits" table.

Impact of Certain Options on Span and Range Limits (a)

Option	Description (Also see Model Code)	Span and Range Limits Derated to:
-B3	B7M Bolts and Nuts (NACE)	20 MPa (2900 psi, 200 bar)
-D1	DIN Construction	16 MPa (2320 psi, 160 bar)
-D5 or -B1	DIN Construction or 316 ss Bolting	15 MPa (2175 psi, 150 bar)
-D2, -D4, -D6, or -D8 (a)	DIN Construction (a)	10 MPa (1500 psi, 100 bar) (a)

- a. Refer to Model Code section for application and restrictions related to the items listed in the table.

Maximum Static and Proof Pressure Ratings for IDP10 d/p Cell Transmitters (a)

Transmitter Configuration (See Model Code for Description of Options)	Static Pressure Rating			Proof Pressure Rating (b)		
	MPa	psi	bar	MPa	psi	bar
With Option -D9 or -Y	40	5,800	400	100	14,500	1,000
Standard or with Option -B2, -D3, or -D7	25	3,626	250	100	14,500	1,000
With Option -B3	20	2,900	200	70	11,150	700
With Option -D1	16	2,320	160	64	9,280	640
With Option -B1 or -D5	15	2,175	150	60	8,700	600
With Option -D2, -D4, -D6, or -D8	10	1,500	100	40	6,000	400
With Structure Codes 78 and 79 (PVDF insert)	2.1	300	21	8.4	1,200	84

- a. Refer to Model Code section for application and restrictions related to the items listed in the table.
b. Proof pressure ratings meet ANSI/ISA Standard S82.03-1988. Unit may become nonfunctional after application of proof pressure.

Output Signal and Configuration

4 to 20 mA with HART Communications. When configured for multidrop applications, the mA signal is fixed at 4 mA to provide power to the device. Configurable using a HART Communicator, PC-based Configurator, or optional LCD Indicator with on-board pushbuttons.

Field Wiring Reversal

No transmitter damage.

Suppressed Zero and Elevated Zero

Suppressed/elevated zero ranges are acceptable as long as the Span/Range Limits are not exceeded.

Electronics and Sensor Temperatures

Readable from the HART Communicator, PC-based Configurator, or optional LCD Indicator with on-board pushbuttons. Measurement is transmitter temperature, not necessarily process temperature.

Adjustable Damping

Response time is normally 0.75 s, or electronically adjustable setting of 0.00 (none), 0.25, 0.50, 1, 2, 4, 8, 16, or 32 seconds, whichever is greater, for a 90% recovery from an 80% input step as defined in ANSI/ISA S51.1. (For 63.2% recovery, 0.50 s with sensors B to E, and 0.60 s with Sensor A.)

Zero and Span Adjustments

Zero and span adjustments can be initiated from the HART Communicator, PC-based Configurator, or optional LCD Indicator having on-board pushbuttons.

Zeroing for Nonzero-Based Ranges

Dual Function Zeroing allows zeroing with the transmitter open to atmosphere, even when there is a nonzero-based range. This greatly simplifies position effect zeroing on many pressure and level applications. It applies to optional LCD Indicator with on-board pushbuttons and optional External Zero Adjustment.

Current Outputs for Overrange, Fail, and Offline Conditions

Condition	Current Output
OFFLINE	User configurable between 4 and 20 mA
SENSOR FAILURE	User configurable to Fail LO or Fail HI
FAIL LO	3.60 mA
UNDERRANGE	3.80 mA
OVERRANGE	20.50 mA
FAIL HI	21.00 mA

Write Protect Jumper

Can be positioned to lock out all configurators from making transmitter database changes. This makes transmitter suitable for Safety Shutdown System Applications that require this feature.

Square Root Low Flow Cutoff

User configurable using HART Communicator, PC-based Configurator, or optional LCD with on-board pushbuttons to provide:

- ▶ User settable for cutoff to zero at any flow rate between 0 and 20% of maximum flow.
- ▶ Cutoff to zero at flows <10% of maximum flow (1% of maximum differential pressure).
- ▶ Or active point-to-point line between zero and 20% of maximum flow (4% of maximum differential pressure).

Minimum Allowable Absolute Pressure vs. Transmitter Temperature

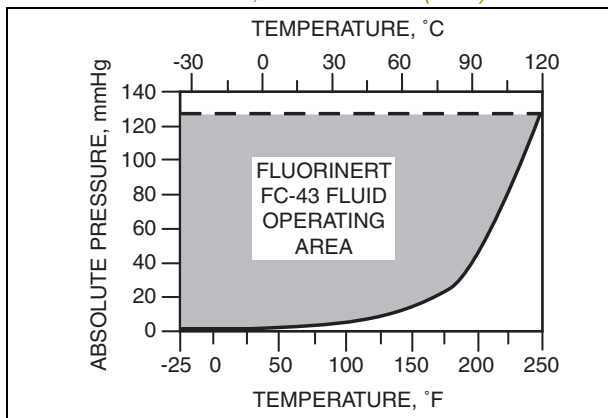
With Silicone Fill Fluid

Full vacuum: up to 121°C (250°F)

With Inert Fill Fluid

Refer to Figure 18.

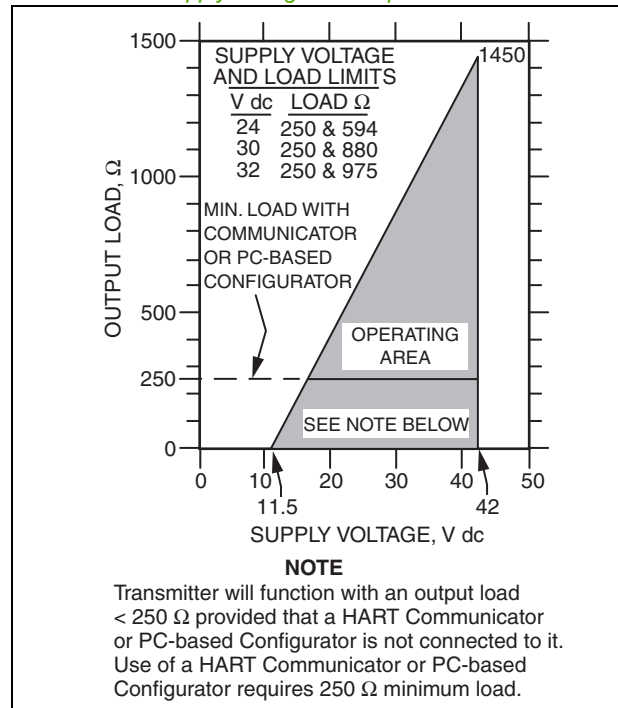
Figure 18. Minimum Allowable Absolute Pressure vs. Transmitter Temperature, Inert FC-43, 2.6 cSt at 25°C (77°F)



Supply Voltage Requirements and External Loop Load Limitations

Minimum voltage shown in Figure 19 is 11.5 V dc. This value can be reduced to 11 V dc by using a plug-in jumper across the test receptacles in the field wiring compartment terminal block. See Figure 23.

Figure 19. 4 to 20 mA Output, Supply Voltage vs. Output Load



Configuration and Calibration Data

All factory characterization data and user configuration and calibration data are stored in the sensor, as shown in the transmitter block diagram, Figure 17. This means that the electronics module may be replaced, with one of like type, without the need for reconfiguration or recalibration. Replacing the module can affect accuracy by a maximum of 0.20% of span. Error can be removed by a mA trim that does not require application of pressure.

Electronics Upgradeability

As stated above, all factory characterization data is stored in the sensor and is accessed by each electronics module type. This means that electronics modules can be changed from one type to another, allowing for easy upgrade from an analog output type to a fully intelligent type module. Changing module types may require reconfiguration and recalibration, but all factory characterization data is retained.

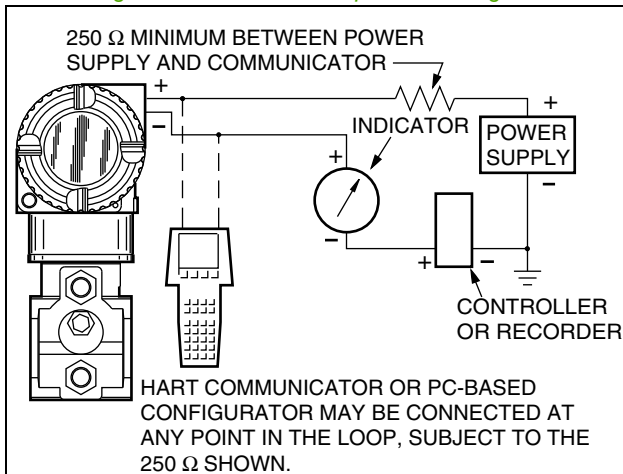
Communications

Configurable for either Analog (4 to 20 mA) or Multidrop Mode. Digital communications is provided in both modes based upon the FSK (Frequency Shift Keying) technique which alternately superimposes one of two different frequencies on the uninterrupted current carried by the two signal/power wires.

Analog Mode (4 to 20 mA)

The output signal is updated 30 times per second. Digital communications between the transmitter and HART Communicator or PC-based Configurator is rated for distances up to 3050 m (10,000 ft). The communications rate is 1200 baud and requires a minimum loop load of 250 ohms. See Figure 20.

Figure 20. 4 to 20 mA Output Block Diagram

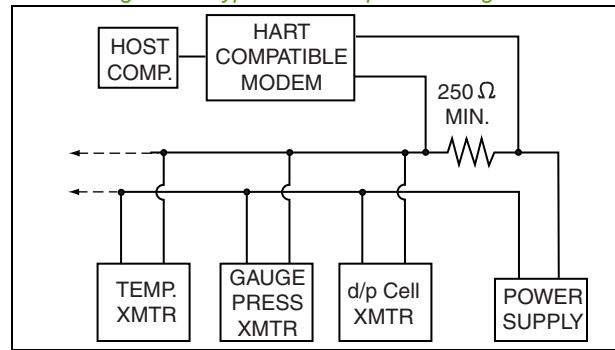


Multidrop Mode (Fixed Current)

Multidrop Mode supports communications with up to 15 transmitters on a single pair of signal/power wires. The digital output signal is updated 4 times per second and carries pressure measurement and sensor/electronics temperatures (internal recalculation rate for temperature is once per second).

Communications between the transmitter and the system, or between the transmitter and HART Communicator or PC-based Configurator, is rated for distances up to 1525 m (5000 ft). The digital communications rate is 1200 baud and requires a minimum loop load of 250 ohms. See Figure 21.

Figure 21. Typical Multidrop Block Diagram



Remote Communications

The HART Communicator or PC-based Configurator has full access to all of the “Display” and “Display and Reconfigure” items listed below. It may be connected to the communications wiring loop and does not disturb the mA current signal. Plug-in connection points are provided on the transmitter terminal block.

“Display” Items

- ▶ Process Measurement in Two Formats
- ▶ Transmitter Temperatures (Electronics and Sensor)
- ▶ mA Output

“Display and Reconfigure” Items

- ▶ Zero and Span Calibration
- ▶ Reranging without Pressure
- ▶ Linear or Square Root Output
- ▶ Choice of Pressure and Flow EGU
- ▶ Electronic Damping
- ▶ Temperature Sensor Failure Strategy
- ▶ Failsafe Direction
- ▶ Tag, Descriptor, and Message
- ▶ Date of Last Calibration

Configuration Capability

Calibrated Range

- ▶ Input range within Span and Range Limits
- ▶ One of the pressure units shown in Table 2

Table 2. Allowable Linear Pressure Units for Calibrated Range (a)

inH ₂ O	psi	Pa	atm	g/cm ²
ftH ₂ O	inHg	kPa	bar	torr
mmH ₂ O	mmHg	MPa	mbar	—
mH ₂ O	—	—	kg/cm ²	—

a. See Optional LCD Indicator for percent (%) display.

Output Measurement #1 – Digital Primary Variable and 4 to 20 mA

- ▶ Mode: Linear or Square Root
- ▶ Units for Linear Mode: One of pressure units shown in Table 2
- ▶ Units for Square Root Mode: One of the flow units shown in Table 3

Output Measurement #2 – Digital Secondary Variable

- ▶ Mode: Linear or Square Root (independent of Measurement #1)
- ▶ Units for Linear Mode: One of pressure units shown in Table 2
- ▶ Units for Square Root Mode: One of flow units shown in Table 3.

Table 3. Allowable Square Root (Flow) Units

% flow	gal/s	m ³ /s	ft ³ /s	lgal/s	bbl/s
l/s	gal/m	m ³ /m	ft ³ /m	lgal/m	bbl/m
l/m	gal/h	m ³ /h	ft ³ /h	lgal/h	bbl/h
l/h	gal/d	Nm ³ /h	ft ³ /d	lgal/d	bbl/d
l/d	Mgal/d	Sm ³ /h			kg/h
		Am ³ /h			t/h
		m ³ /d			MMSCFD

Optional Custom Configuration (Option -C2)

For the transmitter to be custom configured by the factory, the user must fill out a data form. If this option is not selected, a standard default configuration will be provided; for example, see the table below.

Any of the above configurable parameters in the table below can easily be changed using the HART Communicator or PC-based Configurator.

Parameter	Default Config.	Example of Option -C2
Tagging Info		
Tag (8 char. max.)	TAG	FT103A
Descriptor (16 char. max.)	TAG NAME	FEEDWATER
Message (32 char. max.)	LOCATION	BUILDING 4
HART Poll Address (0 to 15)	0	0 (a)
Calibrated Range		
Pressure EGU	per S.O. (b)	inH ₂ O
LRV	per S.O. (c)	0
URV	per S.O. (c)	100
Measurement #1		
Linear/Sq. Root (Flow)	Linear	Sq. Rt
Pressure/Flow EGU	per S.O. (d)	gal/m
Range	per S.O. (d)	0-500 gal/m
Output	4 to 20 mA	4 to 20 mA (e)
Measurement #2		
Linear/Sq. Root (Flow)	Linear	Linear
Pressure/Flow EGU	per S.O. (d)	inH ₂ O
Range	per S.O. (d)	0-100
Other		
Electronic Damping	None	0.5 s
Failsafe Direction	Upscale	Downscale
Failure Strategy	Continue	Failsafe
Ext. Zero Option	Enabled	Disabled

- a. Address is 1 to 15 for multidrop applications.
- b. See Table 2. If not specified, the factory default calibration is zero to maximum span; default units vary by sensor code.
- c. Within Span and Range Limits for selected sensor code.
- d. Same as Calibrated Range.
- e. Fixed current is used for multidrop applications.

Optional LCD Digital Indicator (Figure 22)

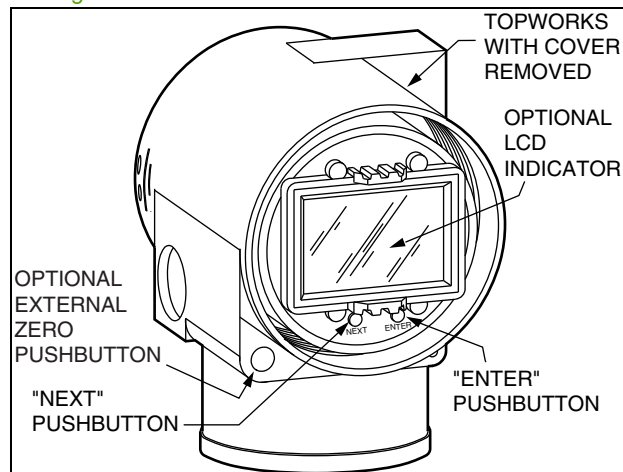
Indicator provides:

- ▶ Two Lines; Five numeric characters on top line (four when a minus sign is needed); and seven alphanumeric characters on bottom line.
- ▶ Measurement Readout; Value displayed on top line, and units label displayed on bottom line.
- ▶ Configuration and Calibration prompts.

Two pushbuttons provide the following configuration and calibration functions:

- ▶ Zero and Span settings, non-interactive to automatically set output to either 4 mA or 20 mA using the "NEXT" and "ENTER" pushbuttons.
- ▶ 4 and 20 mA Jog Settings, allowing the user to easily increment the mA output signal up or down in fine steps to match a value shown on an external meter.
- ▶ Linear or Square Root Output
- ▶ User-entered cutoff point from 0 to 20% of maximum flow.
- ▶ Forward or Reverse Output
- ▶ Damping Adjustment
- ▶ Enable/Disable Optional External Zero
- ▶ Temperature Sensor Failure Strategy
- ▶ Failsafe Action
- ▶ Units Label (Bottom Line of Display)
- ▶ Settable Lower and Upper Range Values for Transmission and Display (Top Line)
- ▶ Reranging
- ▶ Percent (%) Output

Figure 22. LCD Indicator with On-Board Pushbuttons



Optional External Zero Adjustment

An external pushbutton mechanism (Figure 22) is isolated from electronics compartment and magnetically activates an internal reed switch

through the housing. This eliminates a potential leak path for moisture or contaminants to get into the electronics compartment. This zero adjustment can be disabled by a configuration selection.

OPERATING, STORAGE, AND TRANSPORTATION CONDITIONS

Influence	Reference Operating Conditions	Normal Operating Conditions (a) (b)	Operative Limits (a) (b)	Storage and Transportation Limits
Process Connection Temp. ▶ with Silicone Fill Fluid	24 ±2°C (75 ±3°F)	-29 to + 82°C (-20 to +180°F)	-46 and +121°C (c) (-50 and +250°F)	Not Applicable
▶ with Inert Fill Fluid	24 ±2°C (75 ±3°F)	-29 to + 82°C (-20 to +180°F)	-29 and +121°C (-20 and +250°F)	Not Applicable
Electronics Temperature	24 ±2°C (75 ±3°F)	-29 to + 82 °C (e) (-20 to +180 °F)	-40 and +85°C (e) (-40 and +185°F)	-54 and +85°C (-65 and +185°F)
▶ with LCD Indicator (d)	24 ±2°C (75 ±3°F)	-20 to + 82 °C (e) (-4 to +180 °F)	-29 and +85°C (e) (-20 and +185°F)	-54 and +85°C (-65 and +185°F)
Relative Humidity (f)	50 ±10%	0 to 100%	0 and 100%	0 and 100% Noncondensing
Supply Voltage – mA Output	30 ±0.5 V dc	11.5 to 42 V dc (g)	11.5 and 42 V dc (g)	Not Applicable
Output Load – mA Output	650 Ω	0 to 1450 Ω	0 and 1450 Ω	Not Applicable
Vibration	1 m/s ² (0.1 “g”)	6.3 mm (0.25 in) Double Amplitude: from 5 to 15 Hz with Aluminum Housing and from 5 to 9 Hz with 316 ss Housing ----- 0 to 30 m/s ² (0 to 3 “g”) from 15 to 500 Hz with Aluminum Housing; and 0 to 10 m/s ² (0 to 1 “g”) from 9 to 500 Hz with 316 ss Housing		11 m/s ² (1.1 “g”) from 2.5 to 5 Hz (in Shipping Package)
Mounting Position	Upright or Horizontal (h)	Upright or Horizontal (h)	No Limit	Not Applicable

- a. When Traditional Structure Codes 78/79 (PVDF inserts in Hi- and Lo-side process covers) are used, maximum overrange is 2.1 MPa (300 psi), and temperature limits are -7 and +82°C (20 and 180°F); when DIN Construction Options D2/D4/D6/D8 are used, temperature limits are 0 and 60°C (32 and 140°F).
- b. Normal Operating Conditions and Operative Limits are defined per ANSI/ISA 51.1-1979 (R1993).
- c. Selection of Option -J extends the low temperature operative limit of transmitters with silicone filled sensors down to -50°C (-58°F). Performance is not assured below -29°C. Sensor damage may occur if process is frozen.
- d. Although the LCD will not be damaged at any temperature within the storage and transportation limits, updates will be slowed and readability decreased at temperatures outside the Normal Operating Conditions.
- e. Refer to sm for a restriction in ambient temperature limits with certain electrical certifications.
- f. With topworks cover on and conduit entrances sealed.
- g. 11.5 V dc can be reduced to 11 V dc by using a plug-in shorting bar; see “Supply Voltage Requirements and External Loop Load Limitations” section and Figure 23.
- h. Sensor process wetted diaphragms in a vertical plane.

PERFORMANCE SPECIFICATIONS

*Zero-Based Calibrations; Cobalt-Nickel-Chromium or Stainless Steel Sensor w/Silicone Fluid;
Under Reference Operating Conditions unless otherwise Specified;
URL = Upper Range Limit and Span = Calibrated Span*

Accuracy

Table 4. Accuracy (Linear Output) (a)

Accuracy, % of Span (b) (c)	
Spans ≥10% URL	Spans <10% URL
±0.060%	±[0.025 + 0.0035 (URL/Span)]%

- a. Accuracy includes Linearity, Hysteresis, and Repeatability.
- b. Add ±0.04% for Span Code A; ±0.02% for Span Code E.
- c. Subtract ±0.01% for digital output accuracy.

Table 5. Accuracy (Square Root Output) (a)

Operating Point % of Flow Rate Span	Accuracy % of Flow Rate Span
50% and greater	Accuracy % from Table 4
Less than 50% (to cutoff)	$\frac{(\text{Accuracy \% from Table 4})(50)}{\text{Operating Point in \% of Flow Rate Span}}$

- a. Accuracy includes Linearity, Hysteresis, and Repeatability.

Stability

Long term drift is less than ±0.05% of URL per year over a 5-year period. (Add an additional 0.05% to stability specification for Span Code A.)

Calibration Frequency

The calibration frequency is five years. The frequency is derived using the values of allowable error (% span), TPE (% span), performance margin (% span), and stability (% span/month); where:

$$\text{Calibration Frequency} = \frac{\text{Performance Margin}}{\text{Stability}} = \text{Months}$$

Power-up Time

Less than 5 seconds for output to reach first valid measurement.

RFI Effect

The output error is less than 0.1% of span for radio frequencies from 27 to 1000 MHz and field intensity of 30 V/m when the transmitter is properly installed with shielded conduit and grounding, and housing covers are in place. (Per IEC Std. 61000-4-3.)

Supply Voltage Effect

Output changes less than 0.005% of span for each 1 V change within the specified supply voltage requirements. See Figure 19.

Vibration Effect

Total effect is ±0.2% of URL per “g” for vibrations in the frequency range of 5 to 500 Hz; with double amplitudes of 6.3 mm (0.25 in) in the range of 5 to 15 Hz, or accelerations of 3 “g” in the range of 15 to 500 Hz, whichever is smaller, for transmitter with aluminum housing; and with double amplitudes of 6.3 mm (0.25 in) in the range of 5 to 9 Hz, or accelerations of 1 “g” in the range of 9 to 500 Hz, whichever is smaller, for transmitter with 316 ss housing.

Static Pressure Effect

The zero and span shifts for a 7 MPa, 1000 psi, change in static pressure are:

Zero Shift

Span Code	Zero Shift-Static Pressure Effect (a)
A	±0.30% URL (b)
B and C	±0.10% URL
D	±0.50% URL (b)
E	±0.50% URL (b)

- a. Can be calibrated out by zeroing at nominal line pressure.
- b. Per 3.5 MPa (500 psi) for Span Codes A, D and E.

Span Shift

±0.15% of Reading.

Position Effect

Any zero effect caused by mounting position can be eliminated by rezeroing. There is no span effect.

Switching and Indirect Lightning Transients

The transmitter can withstand a transient surge up to 2000 V common mode or 1000 V normal mode without permanent damage. The output shift is less than 1.0%. (Per ANSI/IEEE C62.41-1980 and IEC Std. 61000-4-5.)

Ambient Temperature Effect

Total effect for a 28°C (50°F) change within Normal Operating Condition limits is:

Span Code	Ambient Temperature Effect
A	±(0.18% URL + 0.025% Span)
B and C	±(0.03% URL + 0.060% Span)
D	±(0.05% URL + 0.045% Span)
E	±(0.08% URL + 0.025% Span)

NOTE

For additional ambient temperature effect when pressure seals are used, see PSS 2A-1Z11 A.

PHYSICAL SPECIFICATIONS

Process Cover and Connector Material (Process Wetted)

Carbon Steel, 316 ss, Monel, nickel alloy⁽³⁾, or PVDF (Kynar) inserts in 316 ss covers for transmitter traditional structure; and 316 ss for transmitter low profile structures. For exceptional value and corrosion resistance, 316 ss is the least expensive material.

Process Cover and Process Connection Gaskets

Glass filled ptfе, or Viton when Structure Codes 78/79 (PVDF inserts) are used.

Process Cover Bolts and Nuts

ASTM A193, Grade B7 high strength alloy steel for bolts, and ASTM A194 Grade 2H high strength alloy steel for nuts are standard. Options include NACE Class B7M bolting, 17-4 ss bolting, and 316 ss bolting.

Sensor Material (Process Wetted)

Co-Ni-Cr, 316 L ss, Gold-Plated 316L ss, Monel, nickel alloy⁽³⁾, or Tantalum for transmitter traditional structure; and 316L ss or nickel alloy⁽³⁾ for transmitter low profile structures. For exceptional value and corrosion resistance, 316L ss is the least expensive material. Refer to TI 037-078 and

TI 37-75b for information regarding the corrosion resistance of Co-Ni-Cr and other sensor materials.

Sensor Fill Fluids

Silicone Oil or Inert (FC-43)

Environmental Protection

The enclosure has the dusttight and weatherproof rating of IP66 as defined by IEC 60529, and provides the environmental and corrosion resistant protection rating of NEMA 4X.

Electronics Housing and Housing Covers

Housing has two compartments to separate the electronics from the field connections. The housing and covers are made from low copper, die-cast aluminum alloy with an epoxy finish, or from 316 ss. Buna-N O-ring seals are used to seal the threaded housing covers, housing neck, and terminal block.

Electrical Connections

Field and RTD sensor wires enter through 1/2 NPT, PG 13.5, or M20 threaded entrances, as specified, on either side of the electronics housing. Wires terminate under screw terminals and washers on terminal block in the field terminal compartment. Unused entrance is plugged to insure moisture and RFI/EMI protection. See Figure 23.

3. Equivalent to Hastelloy® C.

Electronics Module

Printed wiring assemblies are conformally coated for moisture and dust protection.

Mounting Position

The transmitter may be mounted in any orientation.

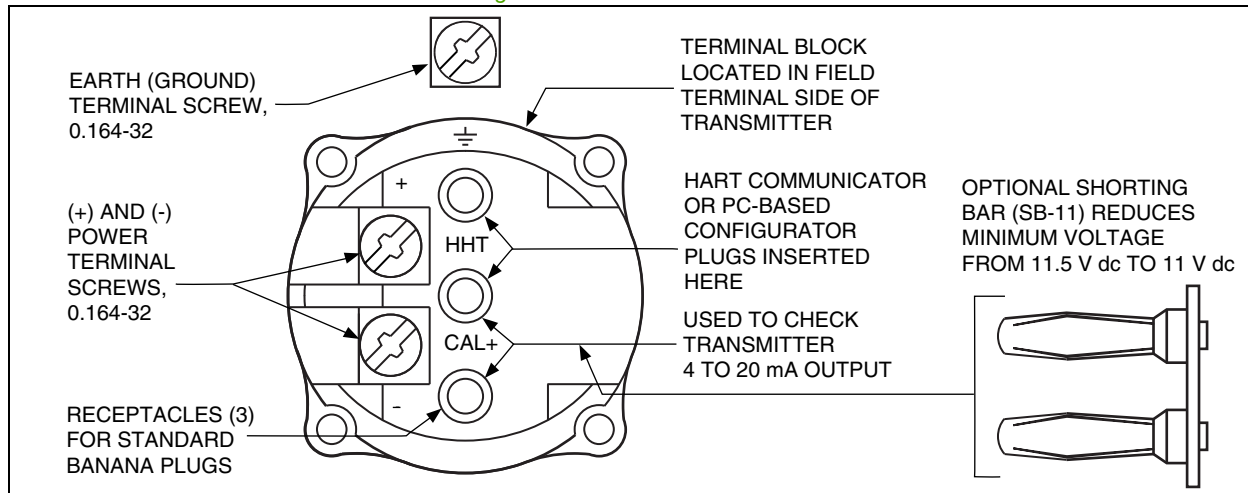
Dimensions

See "Dimensions – Nominal" section and Dimensional Print DP 020-446.

Approximate Mass (with Process Connectors)

- ▶ 4.2 kg (9.2 lb) with Traditional Structure
- ▶ Add 0.1 kg (0.2 lb) with Low Profile Structure LP1
- ▶ Add 0.8 kg (1.8 lb) with Low Profile Structure LP2
- ▶ Add 1.1 kg (2.4 lb) with 316 ss Housing
- ▶ Add 0.2 kg (0.4 lb) with LCD Indicator Option

Figure 23. Field Terminal Block



ELECTRICAL SAFETY SPECIFICATIONS

Testing Laboratory, Types of Protection, and Area Classification	Application Conditions	Electrical Safety Design Code
ATEX flameproof; II 2 GD, EEx d IIC, Zone 1.	Temperature Class T6, Ta = -40°C to +85°C.	D (a)
ATEX intrinsically safe; II 1 GD, EEx ia IIC, Zone 0.	Temperature Class T4, Ta = -40°C to +80°C.	E
ATEX protection n; II 3 GD, EEx nL IIC, Zone 2.	Temperature Class T4, Ta = -40°C to +80°C.	N
ATEX multiple certifications, ia, d, and n. Refer to ATEX Codes D, E, and N for details.	Applies to Codes D, E, and N. (a)	M
CSA intrinsically safe for Class I, Division 1, Groups A, B, C, and D, Class II, Division 1, Groups E, F, and G; Class III, Division 1.	Temperature Class T4A at 40°C and T3C at 85°C maximum ambient.	C
CSA explosionproof for Class I, Division 1, Groups B, C, and D, and dust-ignitionproof for Class II, Division 1, Groups E, F, and G; and Class III, Division 1.	Maximum Ambient Temperature 85°C.	C
CSA Class I, Division 2, Groups A, B, C, and D; Class II, Division 2, Groups F and G; and Class III, Division 2.	Temperature Class T4A at 40°C and T3C at 85°C maximum ambient.	C
CSA field device zone certified flameproof Ex d IIC. Also, all certifications of Code C above.	Maximum Ambient Temperature 85°C.	B
CSA zone certified intrinsically safe Ex ia IIC, and energy limited Ex nA II.	Temperature Class T4 at 40°C and T3 at 85°C maximum ambient.	B
FM intrinsically safe for Class I, Division 1, Groups A, B, C, and D, Class II, Division 1, Groups E, F, and G; Class III, Division 1.	Temperature Class T4A at 40°C and T4 at 85°C maximum ambient.	F
FM explosionproof for Class I, Division 1, Groups B, C, and D; and dust-ignitionproof for Class II, Division 1, Groups E, F, and G; and Class III, Division 1.	Temperature Class T6 at 80°C and T5 at 85°C maximum ambient.	F
FM nonincendive Class I, Div. 2, Groups A, B, C, and D; Class II, Division 2, Groups F and G, and Class III, Div. 2.	Temperature Class T4A at 40°C and T4 at 85°C maximum ambient.	F
FM field device zone approved flameproof AEx d IIC. Also, all certifications of Code F above.	Temperature Class T6 at 75°C maximum ambient.	G
FM zone approved intrinsically safe AEx ia IIC.	Temperature Class T4 at 85°C maximum ambient.	G
IECEx intrinsically safe; Ex ia IIC.	Temperature Class T4, Ta = -40 to +80°C.	T
IECEx protection n; Ex nL IIC.	Temperature Class T4, Ta = -40 to +80°C.	U

ELECTRICAL SAFETY SPECIFICATIONS (CONTINUED)

Testing Laboratory, Types of Protection, and Area Classification	Application Conditions	Electrical Safety Design Code
IECEx flameproof; Ex d IIC.	T6, Ta = 80°C; T5, Ta = 85°C; Ambient Temperature -20 to +85°C.	V
<p>Multi-marked as follows:</p> <p>CSA intrinsically safe, Cl. I, Div. 1, Groups A, B, C, D; Class II, Div. 1, Groups E, F, G; Class III, Div. 1; also CSA zone certified intrinsically safe Ex ia IIC.</p> <p>FM intrinsically safe, Cl. I, Div. 1, Groups A, B, C, D; Class II, Div. 1, Groups E, F, G; Class III, Div. 1. Also FM zone certified intrinsically safe AEx ia IIC.</p> <p>ATEX intrinsically safe, II 1 GD, EEx ia IIC, Zone 0.</p>	<p>See application conditions for Code C intrinsically safe applications.</p> <p>See application conditions for Code F intrinsically safe applications.</p> <p>See application conditions for Code E intrinsically safe applications.</p>	W (b)

- a. When selecting ATEX Safety Design Code M, the user must permanently mark (check off on rectangular box on data plate) one type of protection only (ia, d, or n). Do not change this mark once it has been applied.
- b. When selecting Safety Design Code W, the user must permanently mark (check off in rectangular block on data plate) intrinsically safe certifications for ATEX, CSA, or FM, as applicable. Do not change this mark once it has been applied.

MODEL CODE

Description	Model																																																																																																
I/A Series, Electronic d/p Cell Transmitter for Differential Pressure Measurement	IDP10																																																																																																
Electronics Versions and Output Signal																																																																																																	
Intelligent; Digital, HART and 4 to 20 mA (Version -T)	-T																																																																																																
Structure Code - Select from one of the following six groups:																																																																																																	
1. Transmitter with Traditional Structure																																																																																																	
<table border="0"> <thead> <tr> <th data-bbox="219 657 349 682">Covers</th> <th data-bbox="349 657 511 682">Sensor</th> <th data-bbox="511 657 787 682">Fill Fluid</th> <th data-bbox="787 657 1356 682"></th> </tr> </thead> <tbody> <tr> <td>Steel</td> <td>Co-Ni-Cr</td> <td>Silicone</td> <td>10</td> </tr> <tr> <td>Steel</td> <td>Co-Ni-Cr</td> <td>Inert</td> <td>11</td> </tr> <tr> <td>Steel</td> <td>316L ss</td> <td>Silicone</td> <td>12</td> </tr> <tr> <td>Steel</td> <td>316L ss</td> <td>Inert</td> <td>13</td> </tr> <tr> <td>Steel</td> <td>Nickel alloy (a)</td> <td>Silicone</td> <td>16</td> </tr> <tr> <td>Steel</td> <td>Nickel alloy (a)</td> <td>Inert</td> <td>17</td> </tr> <tr> <td>316 ss</td> <td>Co-Ni-Cr</td> <td>Silicone</td> <td>20</td> </tr> <tr> <td>316 ss</td> <td>Co-Ni-Cr</td> <td>Inert</td> <td>21</td> </tr> <tr> <td>316 ss</td> <td>316L ss</td> <td>Silicone</td> <td>22</td> </tr> <tr> <td>316 ss</td> <td>316L ss</td> <td>Inert</td> <td>23</td> </tr> <tr> <td>316 ss</td> <td>316L ss, Gold Plated</td> <td>Silicone</td> <td>2G</td> </tr> <tr> <td>316ss</td> <td>Monel</td> <td>Silicone</td> <td>24</td> </tr> <tr> <td>316 ss</td> <td>Monel</td> <td>Inert</td> <td>25</td> </tr> <tr> <td>316 ss</td> <td>Nickel alloy (a)</td> <td>Silicone</td> <td>26</td> </tr> <tr> <td>316 ss</td> <td>Nickel alloy (a)</td> <td>Inert</td> <td>27</td> </tr> <tr> <td>Monel</td> <td>Monel</td> <td>Silicone</td> <td>34</td> </tr> <tr> <td>Monel</td> <td>Monel</td> <td>Inert</td> <td>35</td> </tr> <tr> <td>Nickel alloy (a)</td> <td>Nickel alloy (a)</td> <td>Silicone</td> <td>46</td> </tr> <tr> <td>Nickel alloy (a)</td> <td>Nickel alloy (a)</td> <td>Inert</td> <td>47</td> </tr> <tr> <td>Nickel alloy (a)</td> <td>Tantalum</td> <td>Silicone</td> <td>48</td> </tr> <tr> <td>Nickel alloy (a)</td> <td>Tantalum</td> <td>Inert</td> <td>49</td> </tr> <tr> <td>PVDF Insert (Kynar)</td> <td>Tantalum</td> <td>Silicone (Used with Process Connector Type 7)</td> <td>78 (b)</td> </tr> <tr> <td>PVDF Insert (Kynar)</td> <td>Tantalum</td> <td>Inert (Used with Process Connector Type 7)</td> <td>79 (b)</td> </tr> </tbody> </table>	Covers	Sensor	Fill Fluid		Steel	Co-Ni-Cr	Silicone	10	Steel	Co-Ni-Cr	Inert	11	Steel	316L ss	Silicone	12	Steel	316L ss	Inert	13	Steel	Nickel alloy (a)	Silicone	16	Steel	Nickel alloy (a)	Inert	17	316 ss	Co-Ni-Cr	Silicone	20	316 ss	Co-Ni-Cr	Inert	21	316 ss	316L ss	Silicone	22	316 ss	316L ss	Inert	23	316 ss	316L ss, Gold Plated	Silicone	2G	316ss	Monel	Silicone	24	316 ss	Monel	Inert	25	316 ss	Nickel alloy (a)	Silicone	26	316 ss	Nickel alloy (a)	Inert	27	Monel	Monel	Silicone	34	Monel	Monel	Inert	35	Nickel alloy (a)	Nickel alloy (a)	Silicone	46	Nickel alloy (a)	Nickel alloy (a)	Inert	47	Nickel alloy (a)	Tantalum	Silicone	48	Nickel alloy (a)	Tantalum	Inert	49	PVDF Insert (Kynar)	Tantalum	Silicone (Used with Process Connector Type 7)	78 (b)	PVDF Insert (Kynar)	Tantalum	Inert (Used with Process Connector Type 7)	79 (b)	
Covers	Sensor	Fill Fluid																																																																																															
Steel	Co-Ni-Cr	Silicone	10																																																																																														
Steel	Co-Ni-Cr	Inert	11																																																																																														
Steel	316L ss	Silicone	12																																																																																														
Steel	316L ss	Inert	13																																																																																														
Steel	Nickel alloy (a)	Silicone	16																																																																																														
Steel	Nickel alloy (a)	Inert	17																																																																																														
316 ss	Co-Ni-Cr	Silicone	20																																																																																														
316 ss	Co-Ni-Cr	Inert	21																																																																																														
316 ss	316L ss	Silicone	22																																																																																														
316 ss	316L ss	Inert	23																																																																																														
316 ss	316L ss, Gold Plated	Silicone	2G																																																																																														
316ss	Monel	Silicone	24																																																																																														
316 ss	Monel	Inert	25																																																																																														
316 ss	Nickel alloy (a)	Silicone	26																																																																																														
316 ss	Nickel alloy (a)	Inert	27																																																																																														
Monel	Monel	Silicone	34																																																																																														
Monel	Monel	Inert	35																																																																																														
Nickel alloy (a)	Nickel alloy (a)	Silicone	46																																																																																														
Nickel alloy (a)	Nickel alloy (a)	Inert	47																																																																																														
Nickel alloy (a)	Tantalum	Silicone	48																																																																																														
Nickel alloy (a)	Tantalum	Inert	49																																																																																														
PVDF Insert (Kynar)	Tantalum	Silicone (Used with Process Connector Type 7)	78 (b)																																																																																														
PVDF Insert (Kynar)	Tantalum	Inert (Used with Process Connector Type 7)	79 (b)																																																																																														
2. Transmitter with Low Profile Structure LP1 (Not available with Pressure Seals)																																																																																																	
<table border="0"> <thead> <tr> <th data-bbox="219 1455 349 1480">Covers</th> <th data-bbox="349 1455 511 1480">Sensor</th> <th data-bbox="511 1455 787 1480">Fill Fluid</th> <th data-bbox="787 1455 1356 1480"></th> </tr> </thead> <tbody> <tr> <td>316 ss</td> <td>316L ss</td> <td>Silicone</td> <td>LL</td> </tr> <tr> <td>316 ss</td> <td>316L ss</td> <td>Inert</td> <td>LM</td> </tr> <tr> <td>316 ss</td> <td>Nickel alloy (a)</td> <td>Silicone</td> <td>LC</td> </tr> <tr> <td>316 ss</td> <td>Nickel alloy (a)</td> <td>Inert</td> <td>LD</td> </tr> </tbody> </table>	Covers	Sensor	Fill Fluid		316 ss	316L ss	Silicone	LL	316 ss	316L ss	Inert	LM	316 ss	Nickel alloy (a)	Silicone	LC	316 ss	Nickel alloy (a)	Inert	LD																																																																													
Covers	Sensor	Fill Fluid																																																																																															
316 ss	316L ss	Silicone	LL																																																																																														
316 ss	316L ss	Inert	LM																																																																																														
316 ss	Nickel alloy (a)	Silicone	LC																																																																																														
316 ss	Nickel alloy (a)	Inert	LD																																																																																														
3. Transmitter with Low Profile Structure LP2 (Not available with Pressure Seals)																																																																																																	
<table border="0"> <thead> <tr> <th data-bbox="219 1644 349 1669">Covers</th> <th data-bbox="349 1644 511 1669">Sensor</th> <th data-bbox="511 1644 787 1669">Fill Fluid</th> <th data-bbox="787 1644 1356 1669"></th> </tr> </thead> <tbody> <tr> <td>316 ss</td> <td>316L ss</td> <td>Silicone</td> <td>52</td> </tr> <tr> <td>316 ss</td> <td>316L ss</td> <td>Inert</td> <td>53</td> </tr> <tr> <td>316 ss</td> <td>Nickel alloy (a)</td> <td>Silicone</td> <td>56</td> </tr> <tr> <td>316 ss</td> <td>Nickel alloy (a)</td> <td>Inert</td> <td>57</td> </tr> </tbody> </table>	Covers	Sensor	Fill Fluid		316 ss	316L ss	Silicone	52	316 ss	316L ss	Inert	53	316 ss	Nickel alloy (a)	Silicone	56	316 ss	Nickel alloy (a)	Inert	57																																																																													
Covers	Sensor	Fill Fluid																																																																																															
316 ss	316L ss	Silicone	52																																																																																														
316 ss	316L ss	Inert	53																																																																																														
316 ss	Nickel alloy (a)	Silicone	56																																																																																														
316 ss	Nickel alloy (a)	Inert	57																																																																																														

MODEL CODE (CONTINUED)

Description (Continued)	Model																
4. Transmitter prepared for Foxboro Model Coded Remote Mount Seals (c) (d)																	
Transmitter prepared for Remote Seals on Both HI and LO Sides, Silicone Fill in Sensor	S1																
Transmitter prepared for Remote Seals on Both HI and LO Sides, Inert Fill in Sensor	S2																
Transmitter prepared for Remote Seal HI Side, 1/2 NPT Connector LO Side, Silicone Fill in Sensor	S3																
Transmitter prepared for Remote Seal HI Side, 1/2 NPT Connector LO Side, Inert Fill in Sensor	S4																
Transmitter prepared for Remote Seal LO Side, 1/2 NPT Connector HI Side, Silicone Fill in Sensor	S5																
Transmitter prepared for Remote Seal LO Side, 1/2 NPT Connector HI Side, Inert Fill in Sensor	S6																
5. Transmitter Prepared for Foxboro Model Coded Direct Connect Seals (c)																	
PSFLT, PSSCT, or PSSST Direct Connect Seal on HI Side; 1/2 NPT Process Connector LO Side; Silicone Fill	F1																
PSFLT, PSSCT, or PSSST Direct Connect Seal on HI Side; 1/2 NPT Process Connector LO Side; Inert Fill	F2																
PSFLT, PSSCT, or PSSST Direct Connect Seal on HI Side; Remote Seal with Capillary LO Side; Silicone Fill	F3																
PSFLT, PSSCT, or PSSST Direct Connect Seal on HI Side; Remote Seal with Capillary LO Side; Inert Fill	F4																
6. Transmitter Prepared for non-Foxboro Seals																	
Remote Seals on High and Low Sides; Silicone Fill in Sensor	SA																
Remote Seals on High and Low Sides; Inert Fill in Sensor	SB																
Remote Seal on High Side and 1/2 NPT Connector on Low Side, Silicone Fill in Sensor	SC																
Remote Seal on High Side and 1/2 NPT Connector on Low Side, Inert Fill in Sensor	SD																
Remote Seal on Low Side and 1/2 NPT Connector on High Side, Silicone Fill in Sensor	SE																
Remote Seal on Low Side and 1/2 NPT Connector on High Side, Inert Fill in Sensor	SF																
Span Limits (Differential Pressure Units)																	
<table border="0"> <thead> <tr> <th>kPa</th> <th>inH2O</th> <th>mbar</th> <th></th> </tr> </thead> <tbody> <tr> <td>0.12 and 7.5</td> <td>0.5 and 30</td> <td>1.2 and 75</td> <td>A (e)</td> </tr> <tr> <td>0.87 and 50</td> <td>3.5 and 200</td> <td>8.7 and 500</td> <td>B</td> </tr> <tr> <td>7 and 210</td> <td>28 and 840</td> <td>70 and 2100</td> <td>C</td> </tr> </tbody> </table>	kPa	inH2O	mbar		0.12 and 7.5	0.5 and 30	1.2 and 75	A (e)	0.87 and 50	3.5 and 200	8.7 and 500	B	7 and 210	28 and 840	70 and 2100	C	
kPa	inH2O	mbar															
0.12 and 7.5	0.5 and 30	1.2 and 75	A (e)														
0.87 and 50	3.5 and 200	8.7 and 500	B														
7 and 210	28 and 840	70 and 2100	C														
<table border="0"> <thead> <tr> <th>MPa</th> <th>psi</th> <th>bar</th> <th></th> </tr> </thead> <tbody> <tr> <td>0.07 and 2.1</td> <td>10 and 300</td> <td>0.7 and 21</td> <td>D</td> </tr> <tr> <td>0.7 and 21</td> <td>100 and 3000</td> <td>7 and 210</td> <td>E (f)</td> </tr> </tbody> </table>	MPa	psi	bar		0.07 and 2.1	10 and 300	0.7 and 21	D	0.7 and 21	100 and 3000	7 and 210	E (f)					
MPa	psi	bar															
0.07 and 2.1	10 and 300	0.7 and 21	D														
0.7 and 21	100 and 3000	7 and 210	E (f)														
Process Connector Type (Material Same as Process Cover Material) (g)																	
<p>See below:</p> <ul style="list-style-type: none"> ▶ For d/p: No connectors; both covers tapped for 1/4 NPT (316 ss only, no side vents) ▶ Flange Mount Hi Side: 1/2 NPT, 316 ss Process Connector on Lo Side (F1 and F2 only) ▶ Flange Mount Hi Side: No connectors; both sides prepared for seals (F3 and F4 only) ▶ Two Remote Seals: No connectors; both covers tapped for capillary connection (S1, S2, SA, SB only) ▶ One Remote Seal: 1/2 NPT, 316 ss Process Connector on Side Opposite Seal (S3 to S6, SC to SF only) 	0																
1/4 NPT, Not with Structure Codes 46 to 49, 78, 79; or pressure seals	1																
1/2 NPT, Not with Structure Codes 78 or 79, or pressure seals	2																
Rc 1/4, Not with Structure Codes 46 to 49, 78, 79; or pressure seals	3																
Rc 1/2, Not with Structure Codes 78 or 79, or pressure seals	4																
1/2 Schedule 80 Welding Neck, Not with Structure Codes 46 to 49, 78, 79; or pressure seals	6																
None; PVDF Insert tapped for 1/2 NPT/Process Inlet on Side of 316 ss Process Covers (only with 78/79 above)	7																

MODEL CODE

MODEL CODE (CONTINUED)

Description (Continued)	Model
Conduit Connection and Housing Material	
1/2 NPT Conduit Connection, Aluminum Housing	1
PG 13.5 Conduit Connection, Aluminum Housing (With Electrical Safety Codes E, D, M, and N only)	2
1/2 NPT Conduit Connection, 316 ss Housing	3
PG 13.5 Conduit Connection, 316 ss Housing (With Electrical Safety Codes E, D, M, and N only)	4
M20 Conduit Connection, Both Sides, Aluminum Housing (With Electrical Safety Codes E, D, M, and N only)	5
M20 Conduit Connection, Both Sides, 316 ss Housing (With Electrical Safety Codes E, D, M, and N only)	6
Electrical Safety - Also see Electrical Safety Specifications section for descriptions	
ATEX II 1 GD, EEx ia IIC, Zone 0; or II 1/2 GD, EEx ib IIC, Zone 0/1	E
ATEX II 2 GD, EEx d IIC, Zone 1 (h)	D
ATEX II 3 GD, EEx nL IIC, Zone 2	N
ATEX Multiple Certifications (includes ATEX Codes E, D, and N) (h) (See Electrical Safety Specifications section for <u>user marking</u>)	M
CSA Certified Division 1 intrinsically safe, explosionproof, dust-ignitionproof, and Division 2, Classes I, II, and III.	C
CSA Zone Certified Ex d IIC; and all certifications of Code C above, Ex ia and Ex n (h).	B
FM approved Division 1 intrinsically safe, explosionproof, dust-ignitionproof, and nonincendive, Division 2.	F
FM approved AEx d IIC; and also all approvals of Code F above, AEx ia (h).	G
IECEX intrinsically safe; Ex ia IIC	T
IECEX protection n; Ex nL IIC	U
IECEX flameproof; Ex d IIC	V
Multi-marked for ATEX, CSA, and FM Intrinsically Safe Applications only (i)	W
Optional Selections	
Mounting Bracket Set (j)	
Standard Style Painted Steel Bracket with Plated Steel Bolts (not available with LP1 structure)	-M1
Standard Style Stainless Steel Bracket with Stainless Steel Bolts (not available with LP1 structure)	-M2
Universal Style Stainless Steel Bracket with Stainless Steel Bolts (not with Structure Codes LL, LM, LC, or LDD)	-M3
Digital Indicator with Pushbuttons	
Digital Indicator, Pushbuttons, and Window Cover	-L1
DIN 19213 Construction used with Process Connector Code 0 and 316 ss Covers with no side vents (not available when remote or direct connect seals are specified)	
Single Ended Process Cover with M10, B7 Steel Bolting (k) (l)	-D1
Double Ended Process Cover with M10, B7 Steel Bolting (Blind Kidney Flange on Back) (k) (m) (n)	-D2
Single Ended Process Cover with 7/16 in, B7 Steel Bolting; standard pressure rating 25 MPa (3626 psi) (l)	-D3
Double Ended Process Cover with 7/16 in, B7 Steel Bolting (Blind Kidney Flange on Back) (k) (m) (n)	-D4
Single Ended Process Cover with 7/16 in, 316 ss Bolting (k) (l)	-D5
Double Ended Process Cover with 7/16 in, 316 ss Bolting (Blind Kidney Flange on Back) (k) (m) (n)	-D6
Single Ended Process Cover with 7/16 in, 17-4 ss Bolting; standard pressure rating 25 MPa (3626 psi) (l)	-D7
Double Ended Process Cover with 7/16 in, 17-4 ss Bolting (Blind Kidney Flange on Back) (k) (m) (n)	-D8
Single Ended Process Cover with 7/16 in, 17-4 ss Bolting; pressure rating 40 MPa (5800 psi) (l) (Not available with Span Codes A, D, or E; or Option Codes -V, -B1, -B2, -B3, or -Y)	-D9

MODEL CODE (CONTINUED)

Description (Continued)	Model
Cleaning and Preparation - Not Available with Gold-Plated Sensor, Structure 2G; also not with seals Unit Degreased - for Silicone Filled Sensors Only	-X1
(Not for Oxygen/Chlorine/Other Fluids that may react with Silicone)	
Cleaned and Prepared for Oxygen Service - for Inert Filled Sensors Only	-X2
(Not Available with Carbon Steel Covers or with Silicone Filled Sensors)	
Cleaned and Prepared for Chlorine Service - for Inert Filled Sensors Only (o)	-X3
(Not Available with Carbon Steel Covers or with Silicone Filled Sensors)	
Bolting for Process Covers/Connectors - Not with DIN 19213 Construction or Structure Codes 78 and 79 (p)	
316 ss Bolts and Nuts (Pressure Derated; Not Available with -Y Option) (k)	-B1
17-4 ss Bolts and Nuts (o)	-B2
B7-M Bolts and Nuts (NACE)(pressure derated) (k)	-B3
Conduit Thread Adapters (Not available with Conduit Connection Codes 5 and 6)	
Hawke-Type 1/2 NPT Cable Gland for use with Conduit Connection Codes 1 and 3 (q)	-A1
Plastic PG 13.5 Cable Gland for use with Conduit Connection Codes 2 and 4 (r)	-A2
M20 Conduit Thread Adapter for use with Conduit Connection Codes 1 and 3 (q)	-A3
Brass PG 13.5 Cable Gland (Trumpet-Shaped) for use w/Conduit Connection Codes 2 and 4 (r)	-A4
Electronics Housing Features	
External Zero Adjustment	-Z1
Custody Transfer Lock and Seal	-Z2
External Zero Adjustment and Custody Transfer Lock/Seal	-Z3
Custom Factory Configuration	
Full Factory Configuration (Requires Configuration Form to be Filled Out)	-C2
Tubing Connectors - Not available with Structure Codes 78 and 79; also not with pressure seals	
Steel, Connecting 6 mm Tubing to 1/4 NPT Process Connector	-E1
(Only with Structure Codes 10 to 13; and Process Connector Codes 0 and 1)	
Steel, Connecting 12 mm Tubing to 1/2 NPT Process Connector	-E2
(Only with Structure Codes 10 to 13; and Process Connector Code 2)	
316 ss, Connecting 6 mm Tubing to 1/4 NPT Process Connector	-E3
(Only with Structure Codes 10 to 13 and 20 to 23; and Process Connector Codes 0 and 1)	
316 ss, Connecting 12 mm Tubing to 1/2 NPT Process Connector	-E4
(Only with Structure Codes 10 to 13 and 20 to 23; and Process Connector Code 2)	
Vent Screw in Process Cover	
Supply Vent Screw in Side of Each Process Cover	-V
(Available only on Traditional Process Cover Structure Codes 10 to 49)	
Omit Vent Screw in Side of Each Process Cover	-V1
(Available only on Type LP1 Low Profile Process Cover Structures Codes LL, LM, LC, and LD)	
Adapter Plate, Bolts, and Gaskets for Direct Mount to Competitive Manifolds (s)	
See inside pages for manifold compatibility.	
Adapter Set for MC Coplanar Manifolds, B7 Bolts (not with options -B1, -B2, or -B3)	-P1
Adapter Set for MC Coplanar Manifolds, 316 ss Bolts (requires -B1 option)	-P2
Adapter Set for MC Coplanar Manifolds, 17-4 ss Bolts (requires -B2 option)	-P3
Adapter Set for MC Coplanar Manifolds, B7M Bolts (requires -B3 option)	-P4
Adapter Set for MT3 Coplanar Manifolds, Traditional Flange, B7 Bolts (not with options -B1, -B2, or -B3)	-P5
Adapter Set for MT3 Coplanar Manifolds, Traditional Flange, 316 ss Bolts (requires -B1 option)	-P6
Adapter Set for MT3 Coplanar Manifolds, Traditional Flange, 17-4 ss Bolts (requires -B2 option)	-P7
Adapter Set for MT3 Coplanar Manifolds, Traditional Flange, B7M Bolts (requires -B3 option)	-P8
Gaskets	
Metal O-ring for pressure seals in Vacuum Service (t)	-G1

MODEL CODE (CONTINUED)

Description (Continued)	Model
SIL2 Transmitters SIL2-Certified HART Transmitter	-S2
Instruction Books (Common MI, Brochure, and Full Documentation Set on DVD is Standard) Without Instruction Book and DVD; only "Getting Started" brochure is supplied.	-K1
Miscellaneous Optional Selections Low Temperature Operative Limit of Electronics Housing Extended Down to -50°C (-58°F) (u) (Not available with sensors and seals with Inert fill; Structure Codes 78 and 79; and DIN Options -D2, -D4, -D6, and -D8) Supplemental Customer Tag (Stainless Steel Tag wired onto Transmitter) Static Pressure Rating to 40 MPa (5800 psi); Only with Span Codes B and C (Not available with Options -B1, -B2, and -B3 (v); Options -D1 to -D9; Structure Codes 34, 35, 78, 79, S1 to S6, SA to SF, F1 to F4)	-J -T -Y

- a. Equivalent to Hastelloy® C.
- b. Maximum static pressure rating is 2.1 MPa (300 psi); temperature limits are -7 and +82°C (20 and 180°F).
- c. Both Transmitter and Pressure Seal Model Numbers are required. See PSS 2A-1Z11 A for the various pressure seal Model Codes.
- d. Remote Seal Models that may be specified are PSFPS, PSFES, PSFAR, PSTAR, PSISR, PSSCR, and PSSSR.
- e. Span Limit Code A is not available with pressure seals, except for Sanitary Spud Seals Models PSSSR-.4 and PSSST-.4.
- f. Span Limit Code E is not available with Structure Codes 78 and 79 above (PVDF insert in HI side cover).
- g. Select Code "0" if a pressure seal is specified. Otherwise select Code 1 through 7.
- h. Cover lock provided as standard with Electrical Safety Codes D, B, G, and M.
- i. For multi-marking details, see Electrical Safety Specifications section.
- j. Mounting sets not offered with direct connect (flange mount) seals.
- k. See Functional Specifications section for pressure deratings when certain DIN 19213 versions and Bolting Options -B1 and -B3 are specified.
- l. Not available with Low Profile Structure Codes 52 to 67
- m. Temperature limits derated to 0 and 60°C (32 and 140°F). Also not available with Structure Codes 52 to 57, and LL, LM, LC, or LD.
- n. Mounting Bracket Set options are not available.
- o. When -X3 is specified, the standard bolting is replaced with 17-4 ss bolts and nuts. Therefore, there is no need to specify Option -B2 when selecting the Chlorine Service Option -X3.
- p. Not available with DIN construction options. For stainless steel bolts with DIN construction, specify -D5 to -D9, as required.
- q. Available with Electric Safety Codes E, D, M, and N only
- r. Available with Electric Safety Code E only.
- s. Adapter plate options -P1 to -P8 are not available with:
 - Pressure Seal Structure Codes.
 - Process Connector Codes 1-7.
 - DIN Construction Options -D1, -D2, -D4, -D5, -D6, -D7, -D8, -D9.
- t. -G1 is a required option when pressure seal will be used in vacuum applications. This option substitutes vacuum service metal gasket for standard pte process cover gasket.
- u. -50°C indicates sensor and electronics ambient temperature capabilities. Performance is not assured below -29°C. Sensor damage may occur if process is frozen.
- v. -B2 Bolt Option (17-4 ss) is not available with the -Y option because 17-4 ss bolts and nuts are supplied as part of the -Y option.

SUGGESTED RFQ SPECIFICATIONS

The manufacturer shall provide field-mounted differential pressure transmitter(s) featuring remote digital communications capability for measuring differential pressure and transmitting a 4 to 20 mA dc output with a superimposed HART digital signal for use in a standard two-wire dc supply voltage system. They are offered with traditional or low profile structures. Transmitters with a traditional structure can also be provided (as required) with direct connect seals or remote capillary connected seals. The specifications for these transmitters are as follows:

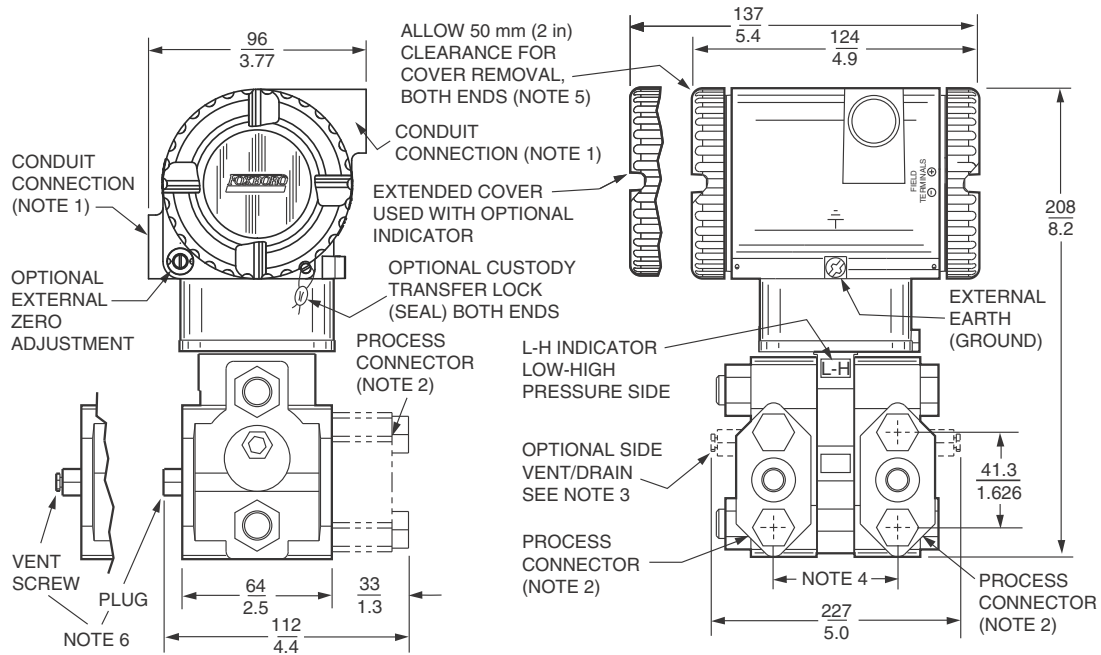
Communication Protocol:	4 to 20 mA dc with HART communication
Remote Communications:	Must not interfere with output
Accuracy:	Digital Output, Linear: $\pm 0.050\%$ of calibrated span 4 to 20 mA Output, Linear: $\pm 0.060\%$ of calibrated span
Damping:	Settable for a range of none to 32 seconds
RFI Protection:	0.1% error between 27 and 1000 MHz at 30 V/m field intensity
Span Limits:	0.5 and 30 inH ₂ O, 3.5 and 200 inH ₂ O, 1 and 30 psi, 10 and 300 psi, 100 and 3000 psi, as specified; or SI and metric equivalents.
Proof Pressure:	14,500 psi for standard transmitters
Mounting:	On process piping, on a manifold, or optional mounting bracket
Input Connection:	With process connectors to accept 1/4 NPT, 1/2 NPT, Rc 1/4, Rc 1/2, or 1/2 Schedule 80 welding neck; or 1/2 NPT PVDF inserts installed in 316 ss process covers; or prepared for a direct connect seal; or prepared for a single remote capillary connected seal, or two remote capillary connected seals.
Electronics Housing:	316 ss, or aluminum housing with epoxy finish
Modular Electronics:	Enclosed in a NEMA 4X (IEC IP66) housing sealed with O-rings for protection against moisture or other contaminants. Optional Integral LCD indicator with on-board configuration pushbuttons.
Process Cover:	Traditional Structures Steel, 316 ss, Monel, Nickel alloy (a) or PVDF insert Low Profile Structures: 316 ss
Sensor Materials:	Traditional Structure: 316L ss, Nickel alloy ^(a) , Co-Ni-Cr, Monel, Tantalum, or Gold-Plated 316L ss Low Profile Structures: 316L ss or Nickel alloy ^(a)
Approvals and Certifications:	Must be suitable for Division 1 hazardous locations, and conform to all applicable European Union Directives. Also versions available to meet Agency flameproof and zone requirements.
Approximate Mass: (with Process Connectors)	4.2 kg (9.2 lb), with Traditional Structures; Add 0.1 kg (0.2 lb) with Low Profile Structure LP1; Add 0.8 kg (1.8 lb) with Low Profile Structure LP2; Add 1.1 kg (2.4 lb) with 316 ss housing; Add 0.2 kg (0.4 lb) with optional LCD indicator.
Model Code:	I/A Series IDP10 Intelligent d/p Cell Transmitter with HART Communication Protocol, with or without pressure seals, or equivalent.

a. Equivalent to Hastelloy[®] C.

DIMENSIONS – NOMINAL

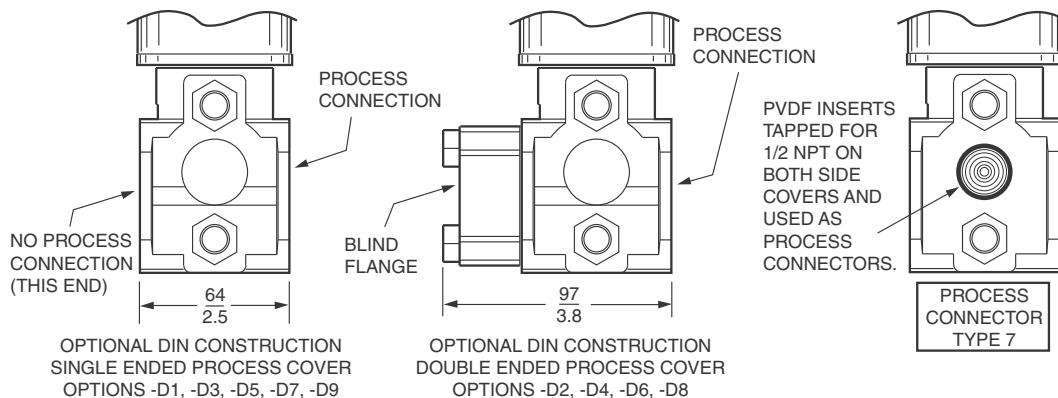
mm
in

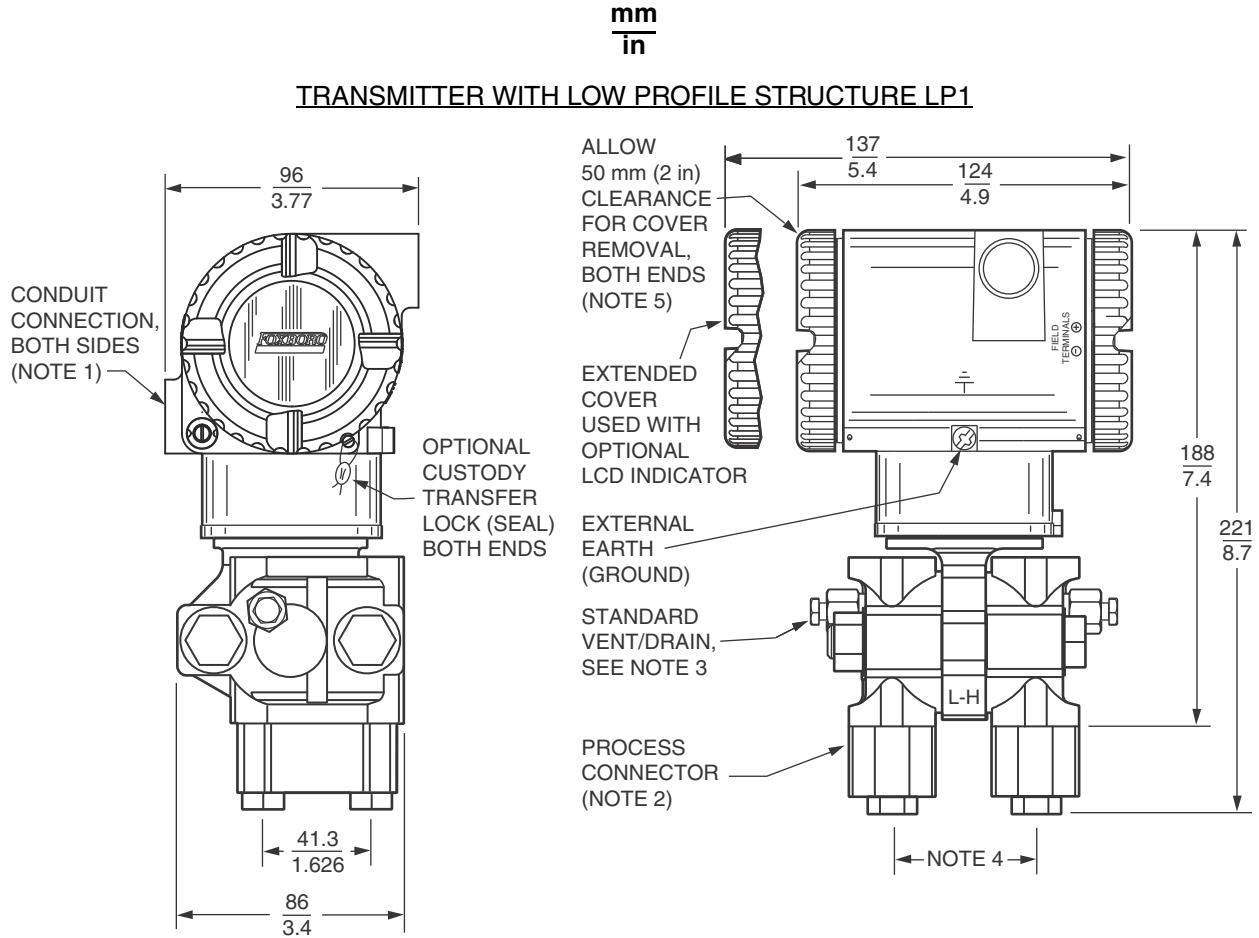
TRANSMITTER WITH TRADITIONAL STRUCTURE



NOTES:

1. CONDUIT CONNECTION 1/2 NPT OR PG 13.5, BOTH SIDES: PLUG UNUSED CONNECTION WITH METAL PLUG (SUPPLIED).
2. PROCESS CONNECTORS MAY BE REMOVED AND TRANSMITTER MOUNTED DIRECTLY ON A MANIFOLD, OR CONNECTIONS MADE DIRECTLY TO PROCESS COVER USING 1/4 NPT INTERNAL THREAD IN PROCESS COVER.
3. PROCESS COVER CAN BE INVERTED MAKING OPTIONAL SIDE VENTS OR SIDE DRAINS
4. PROCESS CONNECTORS CAN BE INVERTED TO GIVE EITHER 51, 54, OR 57 mm (2.0, 2.125, OR 2.25 in) CENTER-TO-CENTER DISTANCE BETWEEN HIGH AND LOW PRESSURE CONNECTIONS.
5. TOPWORKS CAN BE ROTATED TO ANY POSITION WITHIN ONE TURN COUNTERCLOCKWISE OF THE FULLY TIGHTENED POSITION.
6. PROCESS COVER END PLUGS ARE SUBSTITUTED FOR VENT SCREWS WHEN OPTIONAL SIDE VENTS (NOTE 3) ARE SPECIFIED.



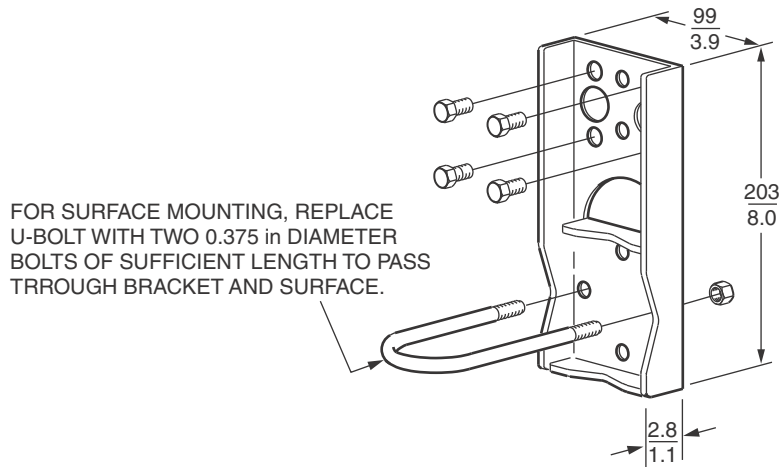


NOTES:

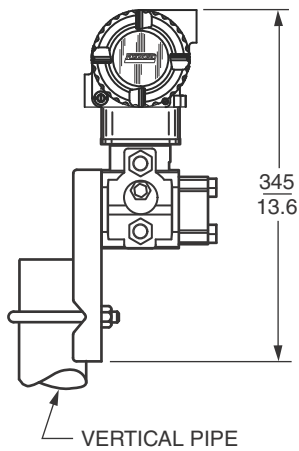
1. CONDUIT CONNECTION 1/2 NPT, PG 13.5, OR M20, BOTH SIDES: PLUG UNUSED CONNECTION WITH METAL PLUG (SUPPLIED).
2. PROCESS CONNECTORS MAY BE REMOVED AND TRANSMITTER MOUNTED DIRECTLY ON A MANIFOLD, OR CONNECTIONS MADE DIRECTLY TO PROCESS COVER USING 1/4 NPT INTERNAL THREAD IN PROCESS COVER.
3. THE TRANSMITTER'S LOW PROFILE STRUCTURE LP1 IS SHOWN IN THE VERTICALLY UPRIGHT POSITION. NOTE THE LOCATION OF THE STANDARD VENT/DRAIN SCREW. IN THIS CONFIGURATION THE TRANSMITTER CAN BE VENTED OR IS SELF-DRAINING. ALSO RECOMMENDED IS A HORIZONTAL INSTALLATION WHERE THE INSTALLED ORIENTATION CAN BE SET TO ALLOW FOR VENTING OR DRAINING.
4. PROCESS CONNECTORS CAN BE INVERTED TO GIVE EITHER 51, 54, OR 57 mm (2.0, 2.125, OR 2.25 in) CENTER-TO-CENTER DISTANCE BETWEEN HIGH AND LOW PRESSURE CONNECTIONS.
5. TOPWORKS CAN BE ROTATED TO ANY POSITION WITHIN ONE TURN COUNTERCLOCKWISE OF THE FULLY TIGHTENED POSITION.

$\frac{\text{mm}}{\text{in}}$

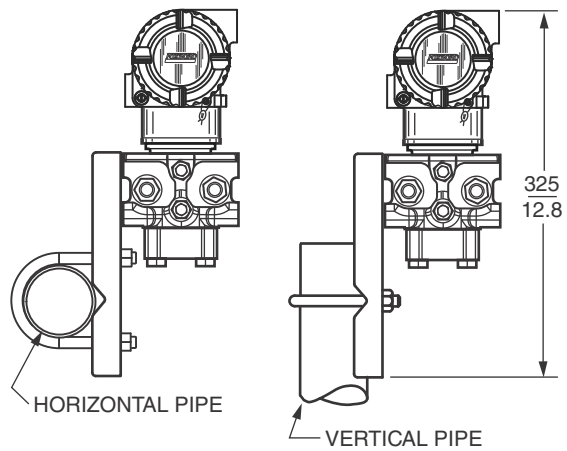
TRANSMITTER WITH STANDARD STYLE MOUNTING BRACKET KIT (OPTIONS -M1 and -M2)



TRANSMITTER WITH TRADITIONAL STRUCTURE

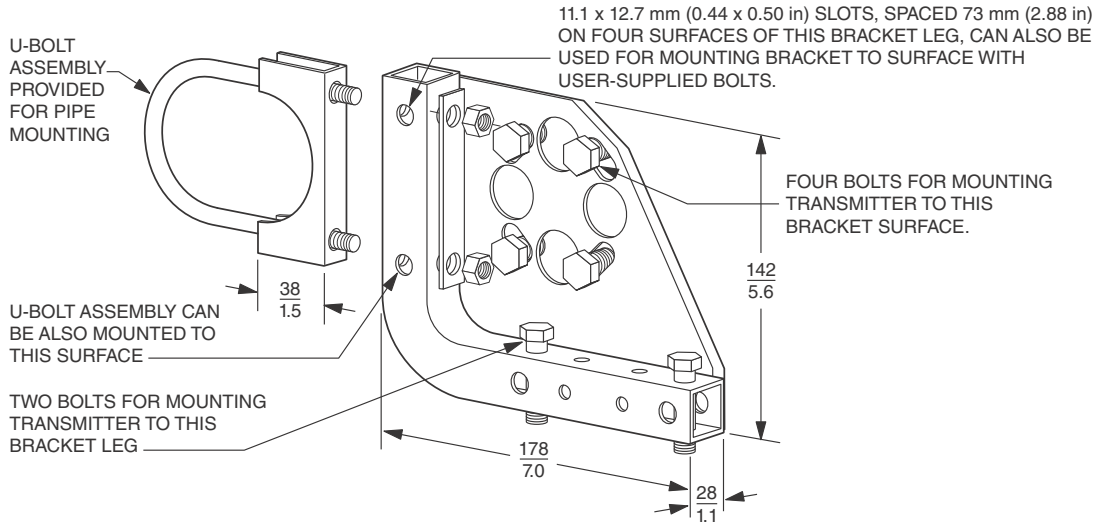


TRANSMITTER WITH LOW PROFILE STRUCTURE LP2

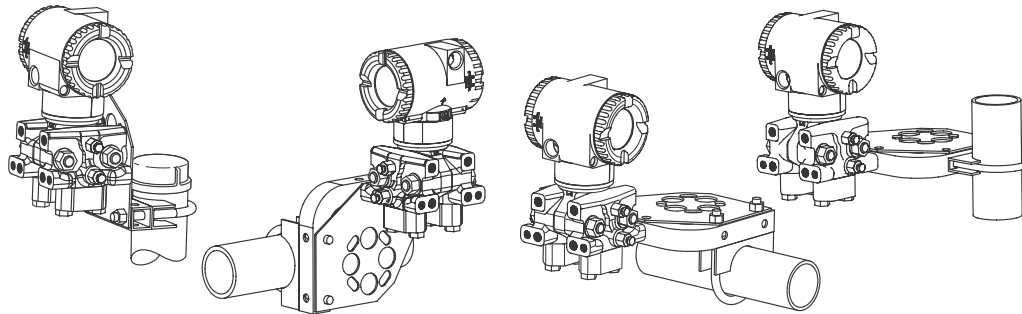


$\frac{\text{mm}}{\text{in}}$

TRANSMITTER WITH UNIVERSAL STYLE MOUNTING BRACKET KIT (OPTION -M3)

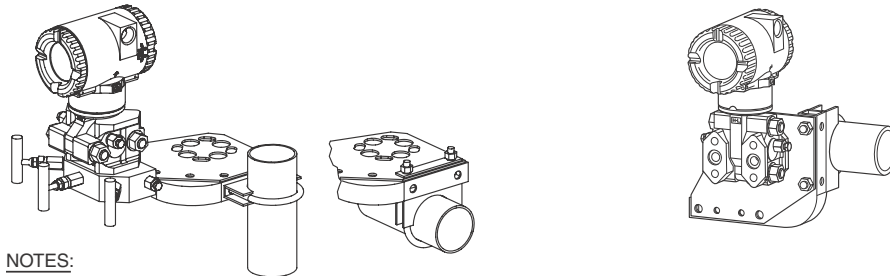


TYPICAL PIPE MOUNTING WITH LOW PROFILE STRUCTURE LP2



**TYPICAL PIPE MOUNTING
LOW PROFILE STRUCTURE LP1**

**TYPICAL PIPE MOUNTING
WITH TRADITIONAL STRUCTURE**



NOTES:

1. FOR SURFACE MOUNTING CONFIGURATIONS, USE THE U-BOLT MOUNTING HOLES FOR ATTACHING THE BRACKET TO A SURFACE RATHER THAN TO THE U-BOLT ASSEMBLY. SURFACE MOUNTING BOLTS FOR ATTACHING THE BRACKET TO A SURFACE ARE USER SUPPLIED.
2. REFER TO DIMENSIONAL PRINT DP 020-446 FOR FURTHER IDP10 MOUNTING CONFIGURATIONS, INCLUDING MOUNTING WITH -P SERIES OPTIONAL MOUNTING PLATES.

NOTES

ORDERING INSTRUCTIONS

1. Model Number(s) as follows:
 - Transmitter only if pressure seals are not selected
 - Both transmitter and pressure seals if pressure seals are selected with traditional structure. See PSS 2A-1Z11 A.
2. Calibrated Pressure Range (using Allowable Pressure Units from the table below).

inH ₂ O	inHg	Pa	mbar	psia
ftH ₂ O	mmHg	kPa	bar	atm
mmH ₂ O	cmHg	MPa	g/cm ²	kg/cm ²
cmH ₂ O	dy/cm ²	torr		

3. Configuration Data Form when Factory Calibration Option -C2 is specified.
4. If Option -S2 (SIL-Certified HART Transmitter) is selected, a copy of the certification can be provided by specifying AS Code CERT-L.
5. Options and Accessories not in Model Code (see PSS 2A-1Z9 E).
6. User Tag Data – Data Plate; 32 characters maximum. For additional tag data, specify Optional Supplemental Tag -T.
7. User Tag Data – Software (Database); 8 characters maximum (user configured).

OTHER FOXBORO PRODUCTS

Invensys provides a broad range of measurement and instrument products, including solutions for pressure, flow, analytical, positioners, temperature, controlling and recording. For a listing of these offerings, visit our web site at:

www.invensys.com